

OPW 1-2105 Series Slip-On Spill Containers

OPW and Pomeco Slip-On Spill Containment Manholes are used on new or existing UST riser pipes. The spill bucket slides onto 3" or 4" fill and vapor return riser pipes and is then secured in place. Slip-on spill containers provide a fast, economical way to replace uncontained manholes or fill boxes.

ONE COMPANY. ONE WORLD. ONE SOURCE.™

Materials

- Cover:** cast aluminum or cast iron
- Mounting ring:** Duragard® coated cast iron
- Bellows:** polyethylene
- Base:** Duratuff®
- Clamps:** stainless steel
- Seals:** Nitrile



1-2105, 5-Gallon
Slip-On Spill Container

Features

- ◆ **Easy Installation** – Clamps directly onto a 4" riser pipe. Reduces job-site time and installation costs; no need to remove, cut or thread riser pipe.
- ◆ **Capacity** – Available in a true 5-gallon capacity as well as a 15-gallon capacity.
- ◆ **Rain-Shedding Cover** – Available in either cast aluminum or cast iron, this unique design incorporates a seal in the underside of the cover. The seal seats between two dams on the mounting ring to prevent surface water from entering the spill container.
- ◆ **Fuel Compatibility** – Designed to accommodate the fuels of the future, including methanol, ethanol and fuels with MTBE additives.
- ◆ **Optional Suction Hand Pump** – 8 oz. per stroke capacity for high-speed evacuation of excess liquid. Allows user to pump product back into the tank or out of the spill container for proper disposal.
- ◆ **Product Identification Tags** – Available for both the spill container cover and bucket to positively identify the product contained in the UST with standard API symbols. (See product I.D. tag specification page for more information: page 66.)
- ◆ **Offset Base Pipe Entry** – 1" offset allows for proper clearance with close fill/vapor riser spacing on tanks.
- ◆ **Heavy-Duty Mounting Ring** – The angled ramp design offers superior protection against snow plows and provides for secure concrete anchoring.
- ◆ **Highway 20 Rated (H20)** – All OPW spill containers and manholes exceed the requirements of the Highway 20 rating.

Spill Container Slip-on Model
Instruction Sheet Order Number:
H12262M



North America Toll Free – TELEPHONE: (800) 422-2525
Fax: (800) 421-3297 ♦ Email: domestic@opw-fc.com
International – TELEPHONE: (513) 870-3315 or (513) 870-3261
Fax: (513) 870-3157 ♦ Email: intl@opw-fc.com ♦ www.opw-fc.com
9393 Princeton-Glendale Road ♦ Hamilton, OH 45011

Listings and Certifications



New York City Fire Department

1-2155

Approval #4903

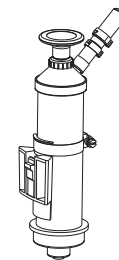
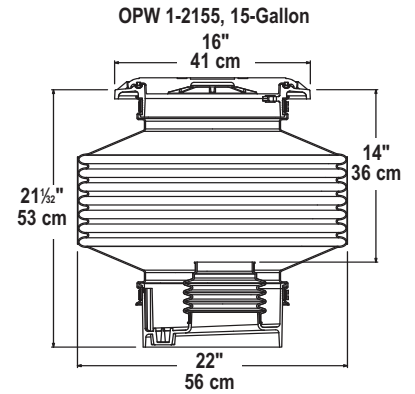
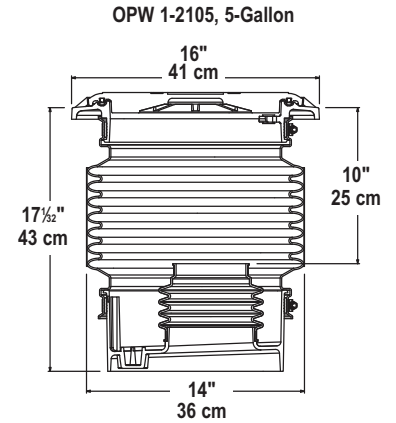
Ordering Specifications

Model	Gal.	Liter	Cover	lbs.	kg
1-2105	5	19	Aluminum	39	18
1C-2105	5	19	Cast Iron	53	24
1-2155	15	56	Aluminum	45	21

Replacement Parts/Accessories

Part #	Description	Part #	Description
1-21AC	Aluminum Cover w/ Seal	H12229M	Cover Seal
1-21CC	Cast Iron Cover w/ Seal	201567	Inner Bellows
1P-2105	Optional Hand Pump Kit		

OPW 1-2105 Series Slip-On Spill Containers



1P-2105 Suction Hand Pump

Important

FlexWorks by OPW, Inc., VAPORSAVER™ and all other OPW products must be used in compliance with all applicable federal, state, provincial and local laws, rules and regulations. Product selection must be based on physical specifications and limitations, compatibility with the environment and material to be handled. All illustrations and specifications in this literature are based on the latest production information available at the time of publication. Prices, materials and specifications are subject to change at any time, and models may be discontinued at any time, in either case, without notice or obligation. OPW warrants solely to its customer that the following products sold by OPW will be free from defects in materials and workmanship under normal use and conditions for the periods indicated.