



**The Best For Over 75 Years!**



# SPILL CONTAINMENT MANHOLES

## RUGGED ALL METAL BODY

### Application -

Rugged all metal body prevents environmental contamination.

### Part Number - 70C

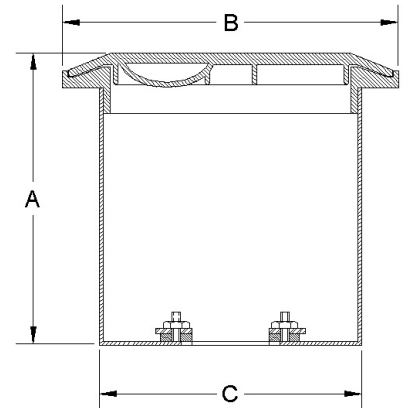


### Features -

- ✓ All cast water-shedding cover prevents entrance of water into the spill container, and is easy to open
- ✓ Flexible seal allows both vertical and angular movement for easy installation
- ✓ All metal body for maximum strength
- ✓ Polymeric coating throughout the body to fight corrosion
- ✓ Available in 5 gallon capacity
- ✓ Available with all weather ring and cover (70CD-1212-SP)
- ✓ H-20 load rating
- ✓ Compatible with E-85

### Construction -

- Ductile cast iron cover
- Cast iron ring
- All metal body



Model	Size	Gallon Capacity	Riser Opening	Weight (lbs.)	A	B	C
70C-1212	12" x 12"	5	4"	55.5	13-1/4"	15-5/8"	12-1/4"
70C-1212-SP	12" x 12"	5	4"	55.5	13-1/4"	15-5/8"	12-1/4"

### Replacement Parts

Part Numbers	Description	Part Numbers	Description
70C-12-A	Tank only	71-12-14	All Weather Cover (SP)
70C-12-A-SP	All Weather Tank only (SP)	70C-12-H	Bottom Gasket
70C-12CO	12" Cover	70C-12-I	Retaining Ring
70C-12-K	Hardware Kit		

Notice: Universal Valve Co., products must be used in compliance with applicable federal, state, and local laws and regulations. Product selection should be based on physical specifications and limitations and compatibility with the environment and material to be handled. Universal Valve Co., makes no warranty of fitness for a particular use. All illustrations and specifications in this literature are based on the latest production information available at the time of publication. Prices, materials, and specification are subject to change at any time, and models may be discontinued at any time, in either case, without notice or obligation.

### UNIVERSAL VALVE COMPANY

478 Schiller Street, Elizabeth, NJ 07206 • (800) 223-0741 • (908) 351-0606 • Fax: (908) 351-0369 • universalvalve.com

© 2009 Universal Valve Company, Inc.