

Centurion

Electronics & Dials

Electronics Enclosure Assembly

Narrow Frame

Wide Frame

Door Assembly

Lefty Video

Left Access (Wide Frame Only)

Right Door (Axiohm Printer)

Axiohm Printer Assembly

Right Door Assembly (Panasonic Printer)

Light Box Assembly (Standard Credit/Debit)

Center Door Assembly

Standard Credit

Standard Debit

Light Box Assembly (Mono Credit/Debit)

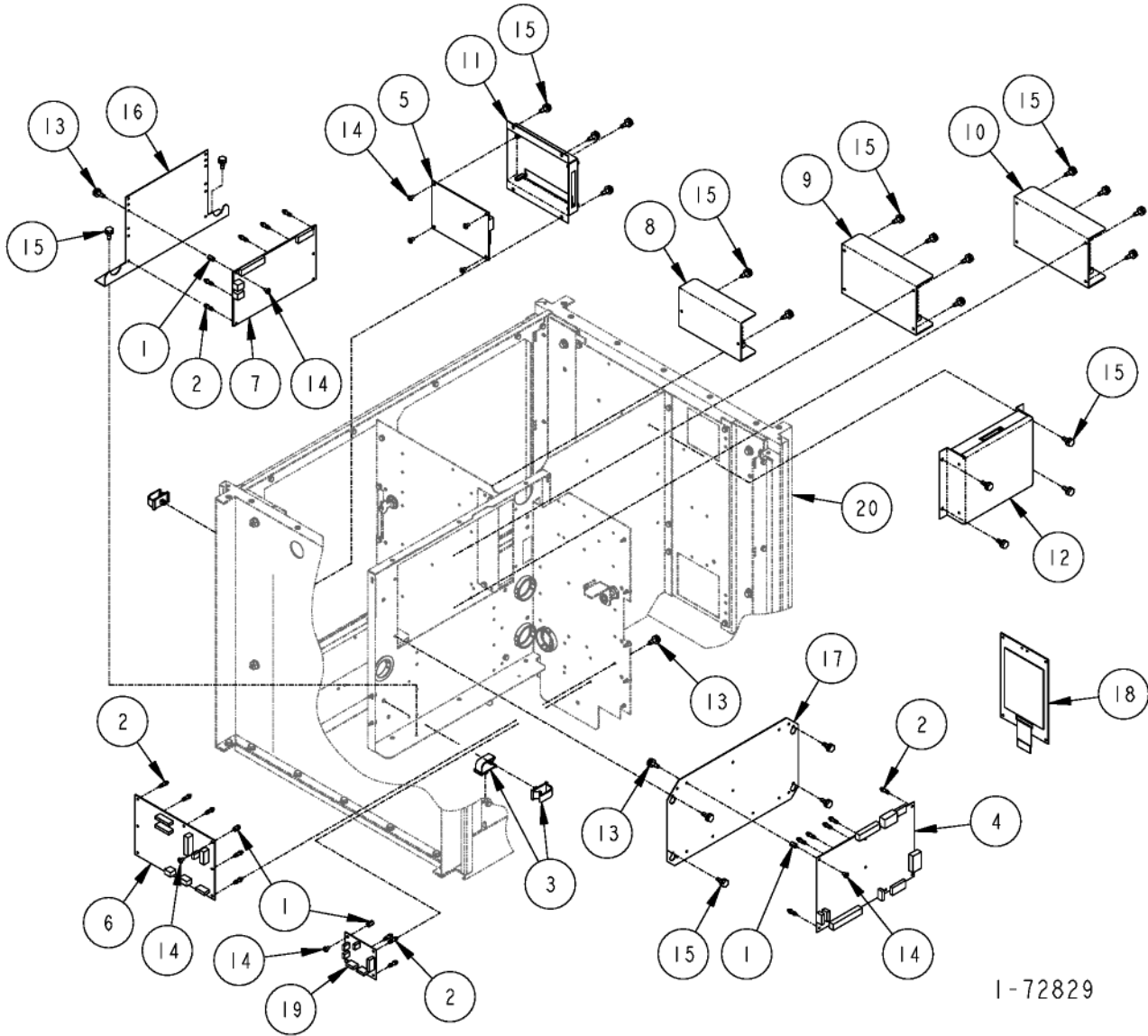
Center Door Assembly

Mono Credit Graphics

Mono Debit Graphics

Touch Pad Door Panels

ELECTRONICS ENCLOSURE ASSEMBLY NARROW FRAME



1-72829

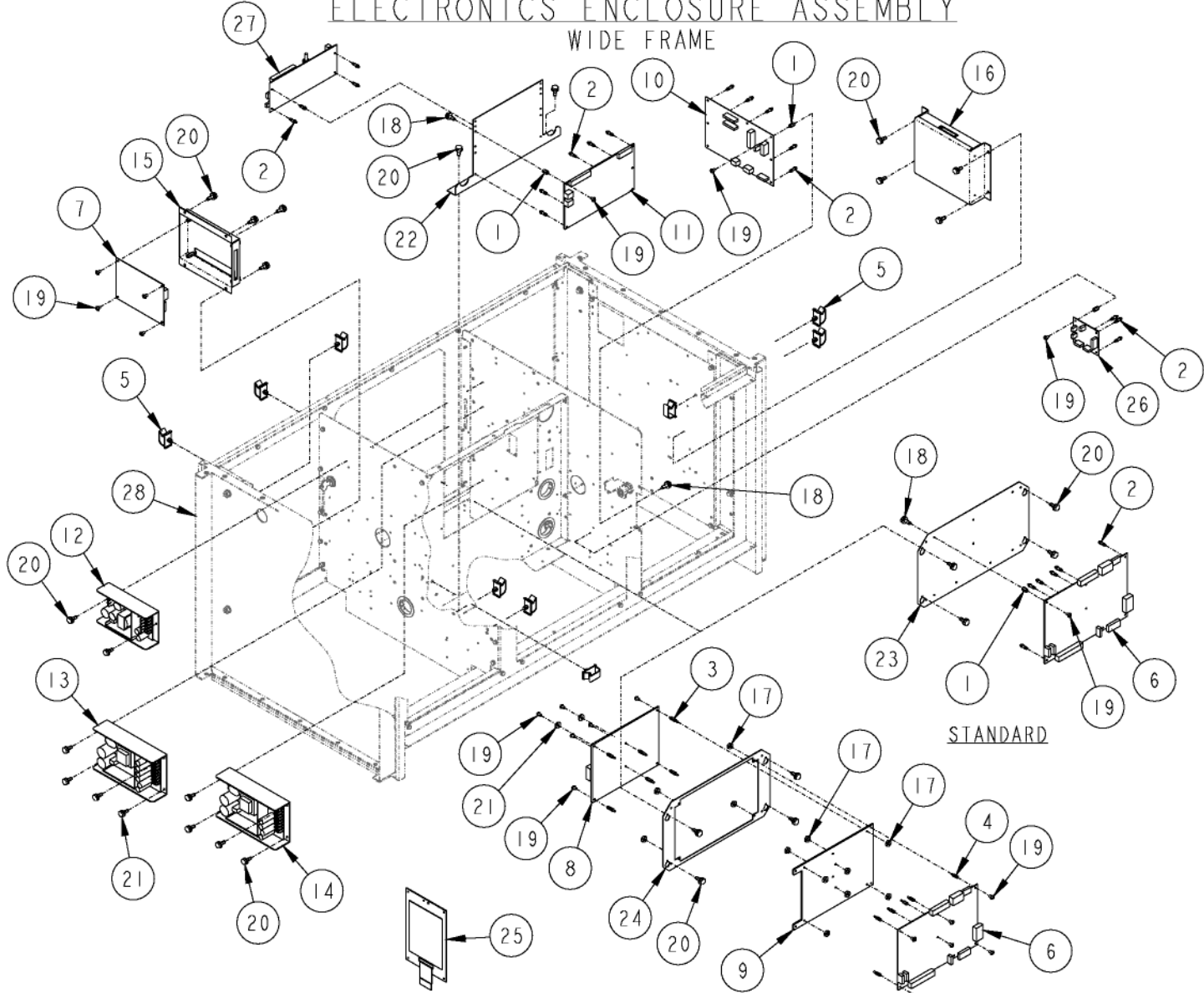
ELECTRONICS ENCLOSURE ASSEMBLY

NARROW FRAME

ITEM PART			ITEM PART		
NO.	NO.	DESCRIPTION	NO.	NO.	DESCRIPTION
1	0120203	Aluminum Standoff	12		Intrinsically Safe Barrier
2	0120242	Plastic Standoff	2600198-1		1 Hose per side
3	0120260	Wire Strain Relief	2600198-2		2 Hoses per side
4	1400297	CPU Main Board	2600198-3		3 Hoses per side
5	1400302	Product Blend Circuit Board	2600198-4		4 Hoses per side
6	<u>Power Distribution Board</u>		13	4003024	#6-32 x 1/4" Long Screw
	1400320-1	Standard "used on noncardsmart preset, card smart, standard debit"	14	4003025	#6-32 x 1/4" Long Screw
	1400320-2	Expanded	15	4003582	#8-32 x 3/8" Long Screw
7	<u>Relay Circuit Board</u>		16	8801030	Relay Board Mounting Bracket
	1400324-1	1 Product	17	8801199	Main Board Mounting Bracket
	1400324-2	2 Product	18	0080074-002	Programmers Touch Pad Assembly
	1400324-3	3 Product	19	1400317	Vapor Recovery Board
	1400324-4	4 Product	20	For parts callout of Center Enclosure Assembly see	
8	2010090	Blender Power Supply			
9	2010082	Logic Power Supply			
10	2010083	Printer Power Supply			
11	2400221	Product Blend Board Assembly (Includes item #5)			

ELECTRONICS ENCLOSURE ASSEMBLY

WIDE FRAME



STANDARD

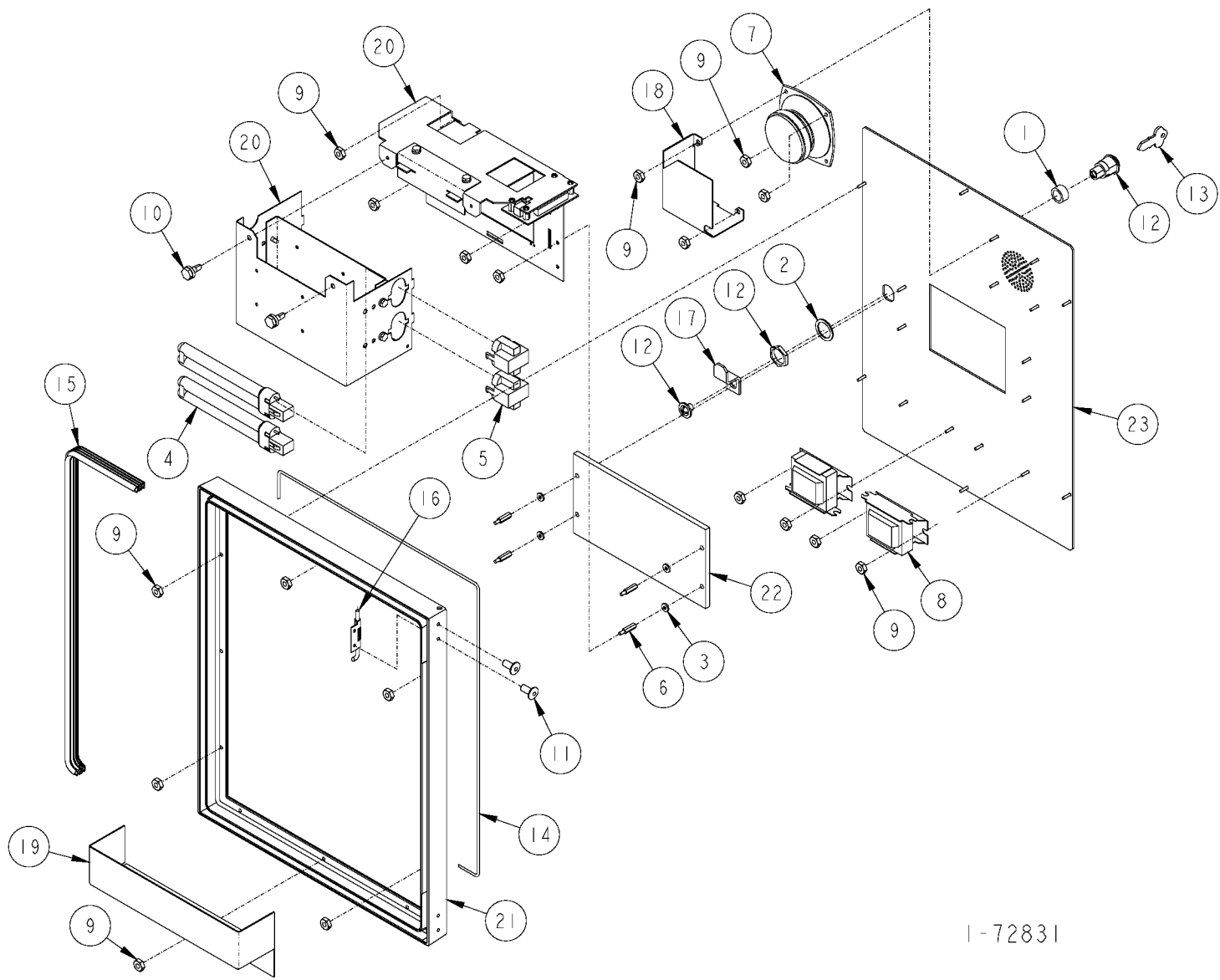
MONOGRAPHS OR LEFTY VIDEO

I-72830

ELECTRONICS ENCLOSURE ASSEMBLY WIDE FRAME

ITEM PART NO. NO.	DESCRIPTION	NO. NO.	DESCRIPTION
		15	2400221 Product Blend Board Assembly (Includes Item #7)
1	0120203 Aluminum Standoff		
2	0120242 Plastic Standoff		
3	0120257 Aluminum Standoff		
4	0120258 Aluminum Standoff		
5	0120260 Wire Strainer		
6	1400297 CPU Main Board		
7	1400302 Product Blend Board		
8	1400304 Video Circuit Board		
9	1400311 Adapter Circuit Board		
10	<u>Power Distribution Board</u>	16	Intrinsically Safe Barrier
	1400320-1 Standard "used on noncardsmart preset, card smart, standard debit"	2600198-1	1 Hose per side
	1400320-2 Expanded "used on monographics and lefty video"	2600198-2	2 Hoses per side
		2600198-3	3 Hoses per side
		2600198-4	4 Hoses per side
11	<u>Relay Circuit Board</u>	17	30220062 #6-32 Kep Nut
	1400324-1 1 Product	18	4003024 #6-32 x 1/4" Long Screw
	1400324-2 2 Product	19	4003025 #6-32 x 1/4" Long Screw
	1400324-3 3 Product	20	4003582 #8-32 x 3/8" Long Screw
	1400324-4 4 Product	21	4033040 Insulator Washer
12	2010090 Blender Power Supply	22	8801030 Relay Board Mounting Bracket
13	2010082 Logic Power Supply	23	8801199 Main Board Mounting Bracket (Standard, used on noncardsmart preset, card
14	2010083 Printer Power Supply	24	8801211 Main Board/Video Mounting Bracket (Monographics or Lefty Video)
ITEM PART		25	0080074-002 Programmers Touch Pad Assembly
		26	1400317 Vapor Recovery Board
		27	1400319 Audio Board (Lefty Video)
		28	For parts call out of Center Enclosure Assembly see 72824

LEFTY VIDEO DOOR ASSEMBLY

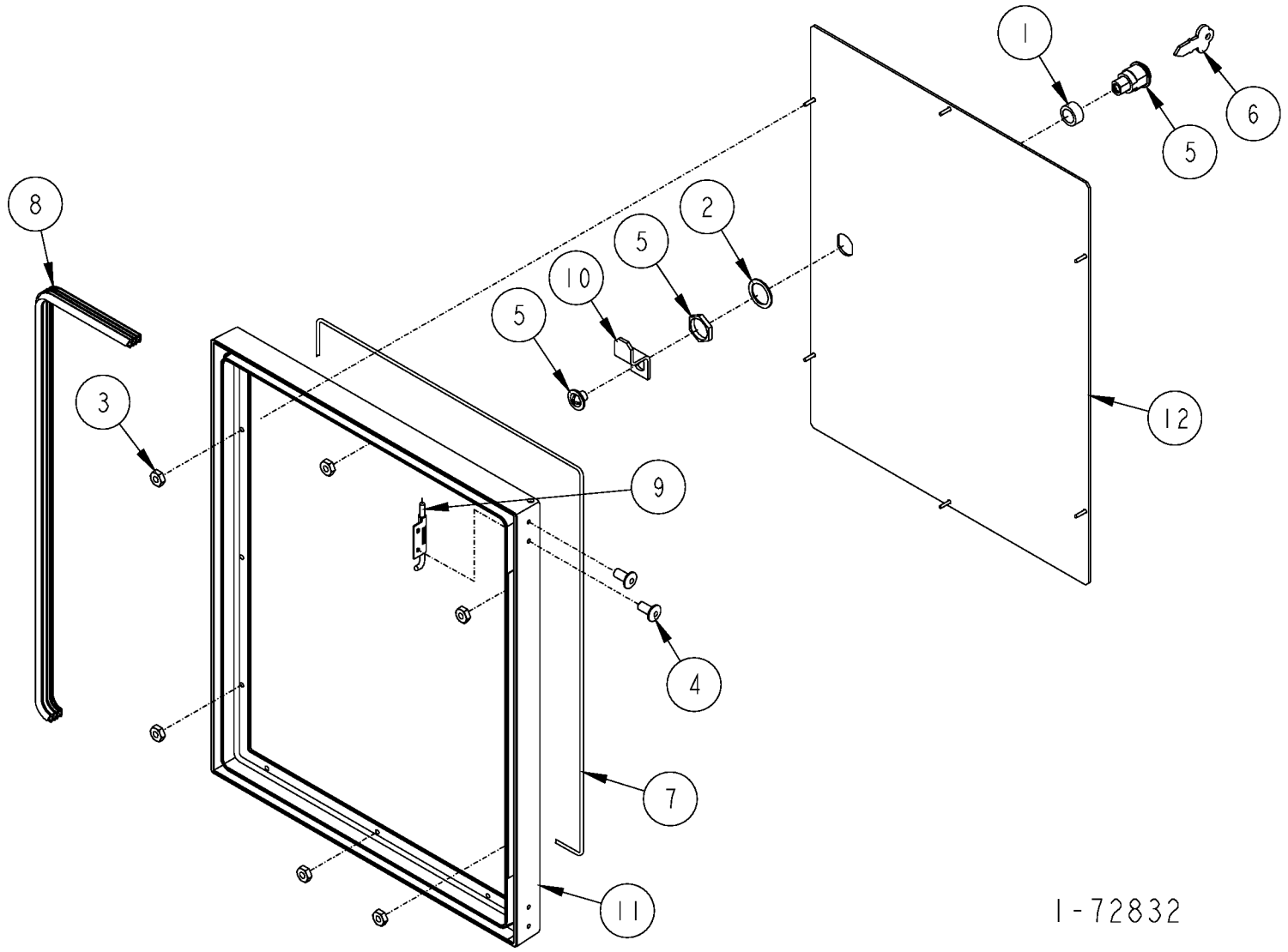


I-72831

LEFTY VIDEO DOOR ASSEMBLY

ITEM PART		DESCRIPTION
NO.	NO.	
1	S-912-2	Nylon Spacer
2	S-912-3	Nylon Washer
3	53-00600	Plastic Washer
4	0070473	Light
5	0070474	Lamp Holder
6	0120258	Standoff
7	1411084	Speaker
8	1411085	Transformer
9	30220062	#6-32 Kep Nut
10	4003518	#8-32 x 1/4" Long
11	1-128281	Pop Rivet
12	4110175	Lock (Includes item
13		Key
14	1-233680	Gasket
15	1-233681	Gasket
16	4180003	Door Hinge
17	8801175	Lock Lever
18	8801246	Speaker Cover
19	8801325	Transformer Cover
20	2400245	Video Board Assembly
21	8900864	Door Frame
22	8900939	Lens
23	8900973	Video Door Insert

LEFT ACCESS DOOR ASSEMBLY (WIDE FRAME ONLY)



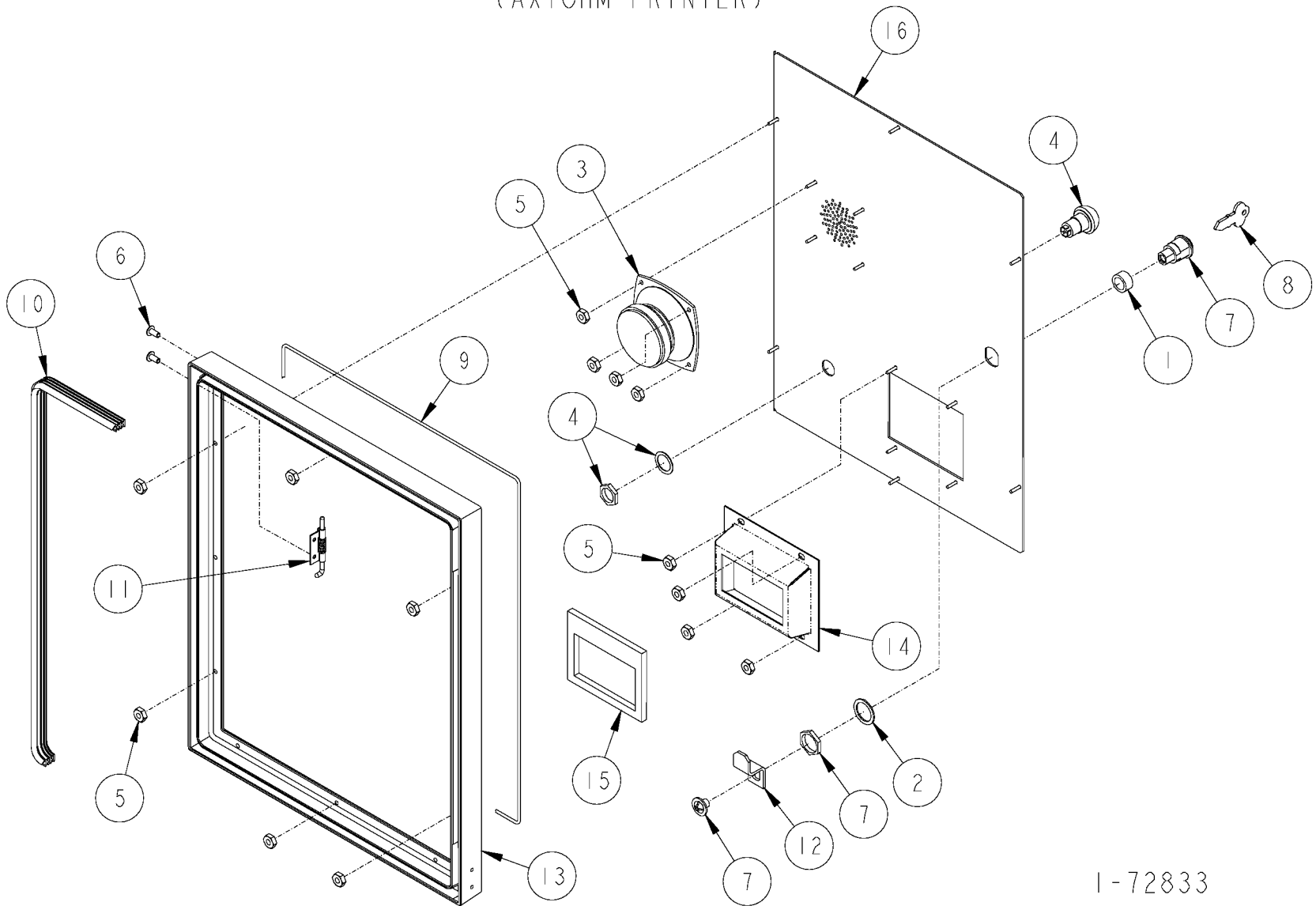
1-72832

LEFT ACCESS DOOR ASSEMBLY (WIDE FRAME ONLY)

ITEM NO.	PART NO.	DESCRIPTION
1	S-912-2	Nylon Spacer
2	S-912-3	Nylon Washer
3	30220062	#6-32 Kep Nut
4	1-128281	Pop Rivet
5	4110175	Lock (Includes item
6		Key
7	1-233680	Gasket
8	1-233681	Gasket
9	4180003	Door Hinge
10	8801175	Lock Lever
11	8900864	Door Frame
12	8900969	Door Plate

For complete Access Door Assembly order 8900978

RIGHT DOOR ASSEMBLY (AXIOHM PRINTER)

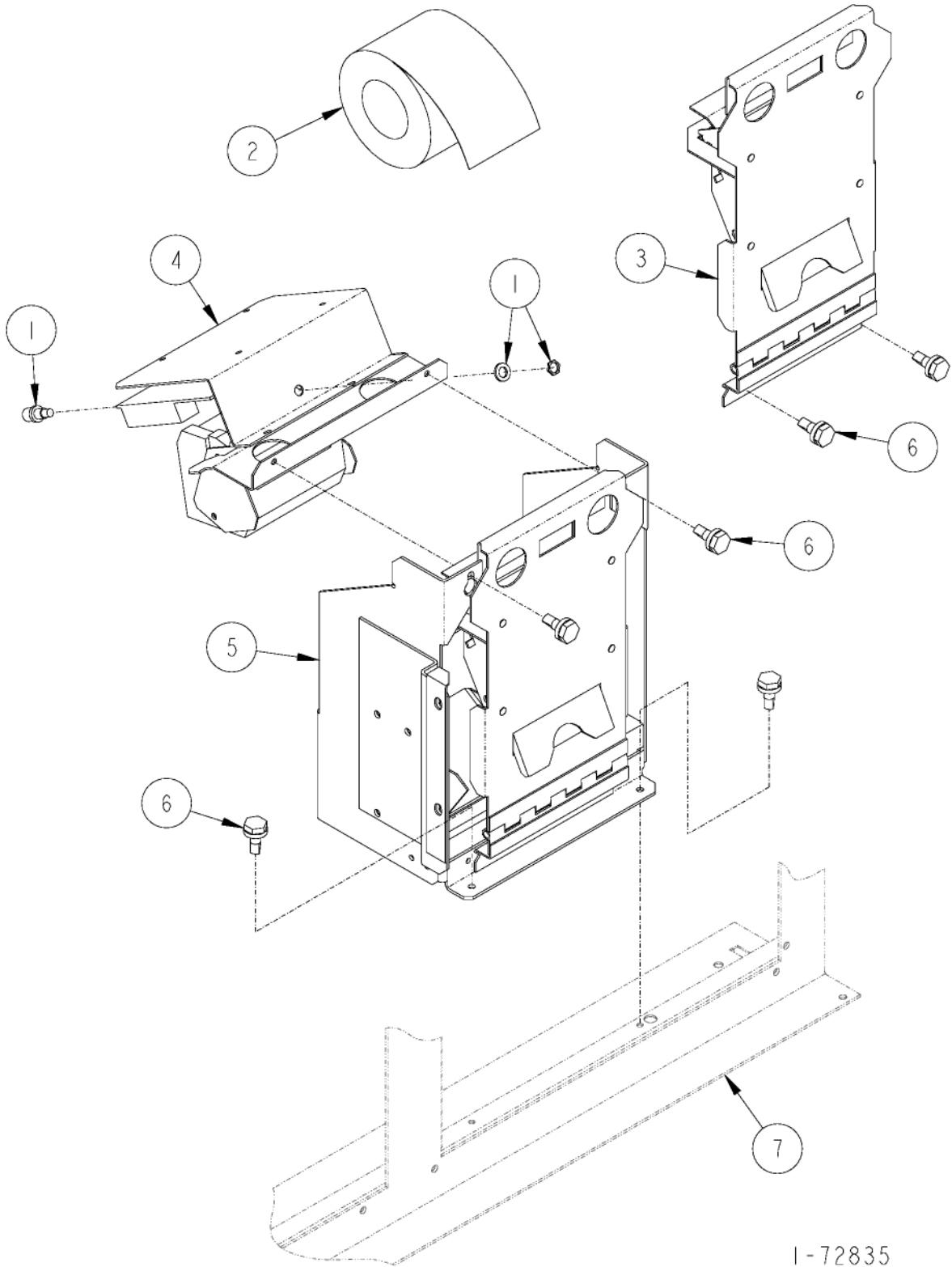


1-72833

RIGHT DOOR ASSEMBLY (AXIOHM PRINTER)

ITEM PART			ITEM PART		
NO.	NO.	DESCRIPTION	NO.	NO.	DESCRIPTION
1	S-912-2	Nylon Spacer	16	<u>Door Panel</u>	
2	S-912-3	Nylon Washer		8900969	Blank
3	1411084	Speaker		8900971	Printer/speaker
4	1411152	Call Button		8900972	Printer
5	30220062	#6-32 Kep Nut		8900974	Speaker
6	1-128281	Pop Rivet		8901028	Speaker/call
7	4110175	Lock (Includes item #8)		8901030	Printer/speaker/call
8		Key		8901032	Call
9	1-233680	Gasket		8901034	Printer/call
10	1-233681	Gasket			
11	4180002	Door Hinge			
12	8801175	Lock Lever			
13	8900864	Door Frame			
14	8801176	Printer Bezel			
15	4160026	Printer Cushion			

AXIOHM PRINTER ASSEMB



1-72835

AXIOHM PRINTER ASSEMBLY

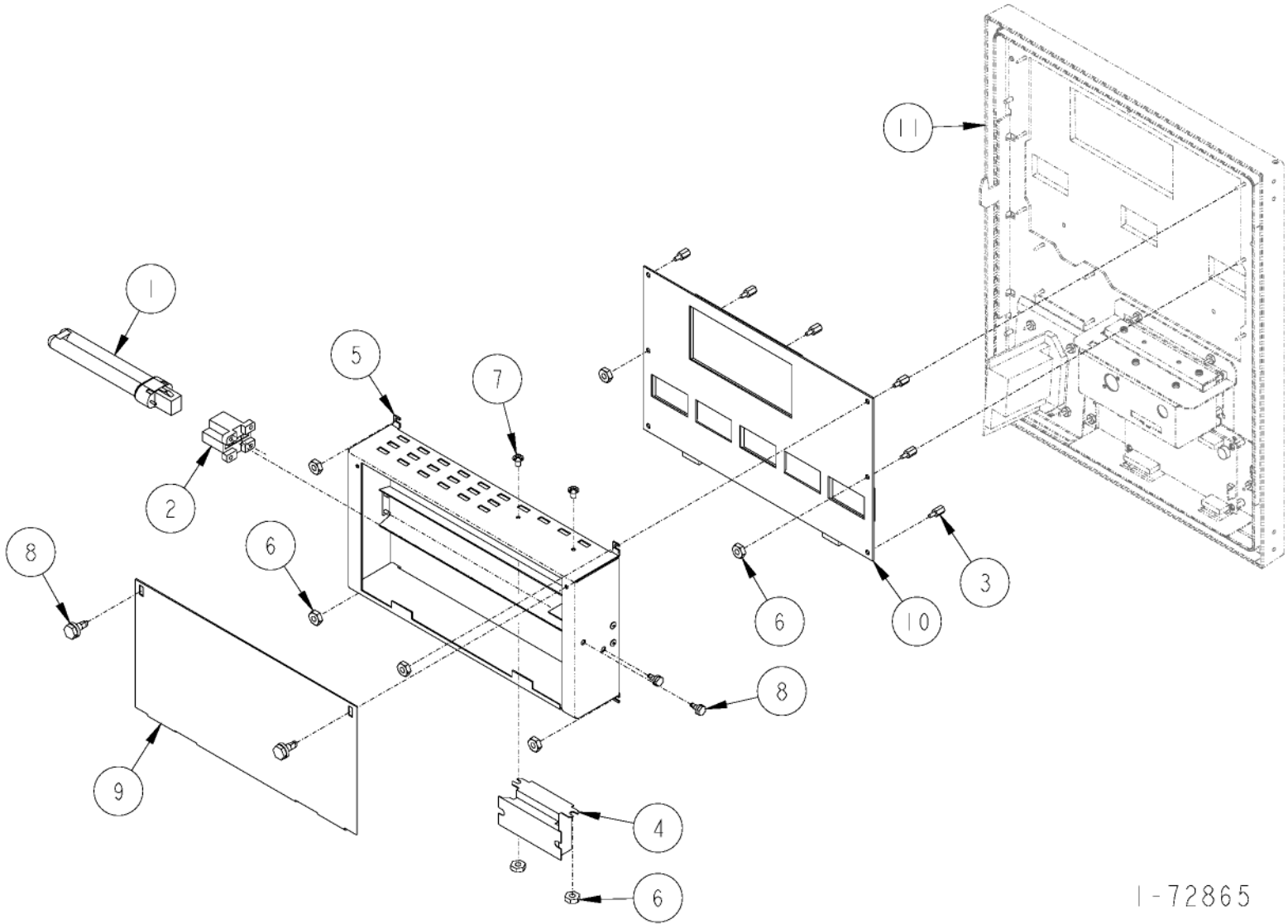
ITEM PART NO.	NO.	DESCRIPTION
1	22-00695-00	Switch
2	5-230492	Paper Roll (case)
3	2400215	Printer Door Assembly
4	2400230	Printer Head Assembly
5	2400241	Printer Door & Housing Assembly (Includes item #3)
6	4003582	#8-32 x 3/8" Long Screw
7	For parts callout of Center Enclosure Assembly see	

RIGHT DOOR ASSEMBLY (PANASONIC PRINTER)

ITEM PART			ITEM PART			ITEM PART		
NO.	NO.	DESCRIPTION	NO.	NO.	DESCRIPTION	NO.	NO.	DESCRIPTION
1	S-912-2	Nylon Spacer	16 Door Panel (Continued)			Panasonic Printer Kit for		
2	S-912-3	Nylon Washer	16 Stud Mounting (1st Design)			replacement of Axiohm Printer		
3	1411084	Speaker	8901401-5		Printer	"16 Stud mounting" (1st Design)		
4	1411152	Call Button	8901401-6		Printer/speaker	Standard Textured Black.		
5	2010119	Panasonic Printer	8901401-7		Printer/call	2990142-9		Printer
6	1-233712	Paper	8901401-8		Printer/speaker/call	2990142-10		Printer/speaker
7	30220062	#6-32 Kep Nut	12 Stud Mounting (3rd Design)			2990142-11		Printer/call
8	1-128281	Pop Rivet	8901401-9		Printer	2990142-12		Printer/speaker/call
9	4110175	Lock (Includes key)	8901401-10		Printer/speaker	Painted or Graphic Decal		
10		Key	8901401-11		Printer/call	2990142-13		Printer
11	1-233680	Gasket	8901401-12		Printer/speaker/call	2990142-14		Printer/speaker
12	1-233681	Gasket	Panasonic Printer Kit for			2990142-15		Printer/call
13	4180002	Door Hinge	replacement of Axiohm Printer			2990142-16		Printer/speaker/call
14	8801175	Lock Lever	"6 Stud mounting" (2nd Design)			For complete Right Door Assy		
15	8900864	Door Frame	Standard Textured Black.			2400272		Printer/speaker
16	Door Panel		2990142-1		Printer	2400273		Printer
	8900969	Blank	2990142-2		Printer/speaker	2400274		Printer/speaker/call
	8900974	Speaker	2990142-3		Printer/call	2400275		Printer/call
	8901028	Speaker/call	2990142-4		Printer/speaker/call	8900983		Speaker
	6 Stud Mounting (2nd Design)		Painted or Graphic Decal			8900984		Blank
	8901401-1	Printer	2990142-5		Printer	8901029		Speaker/call
8901401-2	Printer/speaker	2990142-6		Printer/speaker	8901033		Call	
8901401-3	Printer/call	2990142-7		Printer/call				
8901401-4	Printer/speaker/call	2990142-8		Printer/speaker/call				

LIGHT BOX ASSEMBLY

STANDARD CREDIT SHOWN



1-72865

LIGHT BOX ASSEMBLY

STANDARD CREDIT SHOWN

ITEM PART	ITEM PART
NO. NO. DESCRIPTION	NO. NO. DESCRIPTION
1 0070473 Light Bulb	11 For parts call out of Center Door Assembly see:
2 0070503 Light Socket	
3 0120266 Standoff	
4 1411100 Transformer	
5 <u>Light Box Assembly (Includes all items except item #</u>	
<u>3, 10 & 11)</u>	
2400260 120 Volt/60Hz	
2400262 220 Volt/50Hz	
6 30220062 #6-32 Kep Nut	
7 4003100 #6-32 x 3/8" Long Screw	
8 4003582 #8-32 x 3/8" Long Screw	
9 8801170 Box Cover	
10 <u>Customer Display Board</u>	

11 For parts call out of Center Door Assembly see:

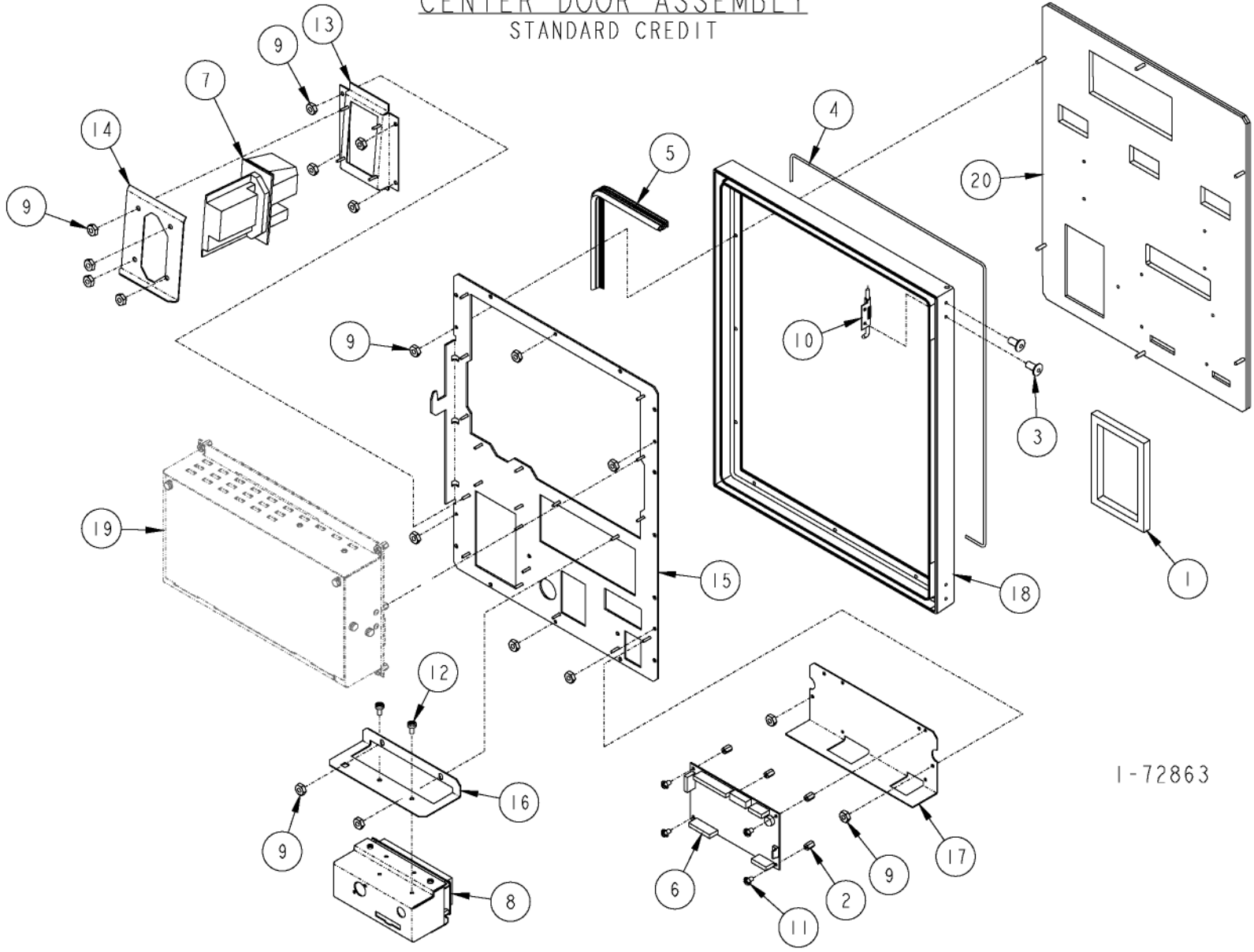
72863 Standard Credit

72864 Standard Debit

1-72865

1400313-1 1 Product 1400313-2 2 Product 1400313-3 3 Product 1400313-4 4 Product 1400313-5
5 Product

CENTER DOOR ASSEMBLY
STANDARD CREDIT

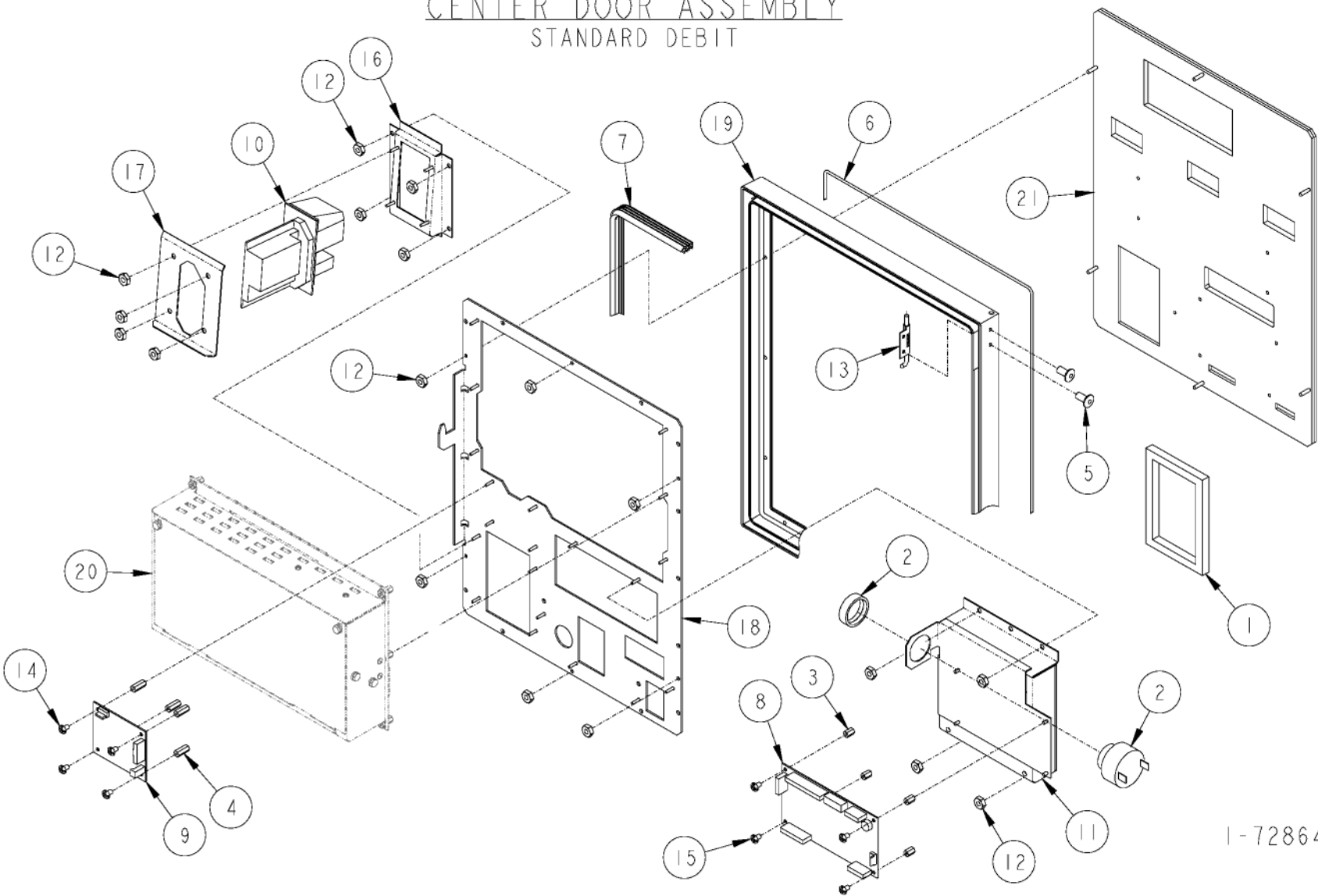


1-72863

CENTER DOOR ASSEMBLY STANDARD CREDIT

ITEM PART			ITEM PART		
NO.	NO.	DESCRIPTION	NO.	NO.	DESCRIPTION
1	50-00649	Gasket	17	8801342	EZ Bus Keypad Bracket
2	0120203	Standoff	18	8900864	Door Frame
3	1-128281	Pop Rivet	19	For parts call out of Light Box Assembly see 72865.	
4	1-233680	Gasket	20	For Touch Pad Door Panels see 72866. (Page 5-28)	
5	1-233681	Gasket			
6	1400314	Board			
7	2010089	Card Reader			1-72863
8	Customer Display Assembly				
	2400218	Without Heater			
	2400219	With Heater			
9	30220062	#6-32 Kep Nut			
10	4180003	Door Hinge			
11	4003025	#6-32 x 1/4" Long Screw			
12	4003132	#6-32 x 5/8" Long Screw			
13	8801077	Card Reader Angle Bracket			
14	8801078	Card Reader Backing Bracket			
15	8801258	Card Reader Mounting Bracket			
16	8801269	Customer Display Bracket			

CENTER DOOR ASSEMBLY STANDARD DEBIT



1-72864

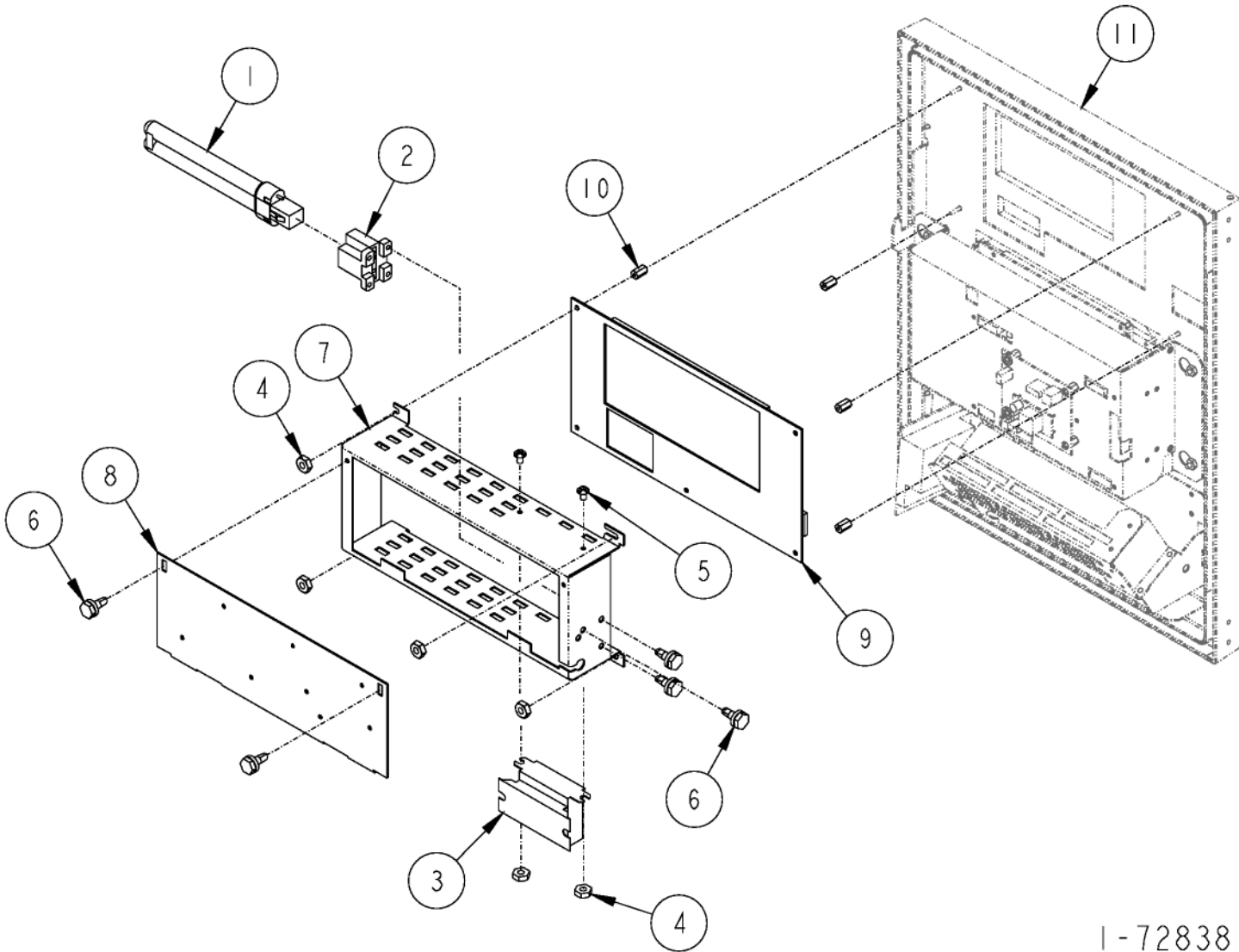
CENTER DOOR ASSEMBLY STANDARD DEBIT

Centurion Dispensers Parts Manual
Form 6058, Version 2.0 June 2000

ITEM PART			ITEM PART		
NO.	NO.	DESCRIPTION	NO.	NO.	DESCRIPTION
1	50-00649	Gasket	11	Debit Module (Continued)	
2	0070158	Buzzer (Annunciator)		2400217-24	Quiktrip
3	0120203	Standoff		2400217-26	Chevron
4	0120246	Standoff		2400217-27	Phillips 66
5	1-128281	Pop Rivet		2400217-28	Unocal
6	1-233680	Gasket			
7	1-233681	Gasket	12	30220062	#6-32 Kep Nut
8	1400314	Board	13	4180003	Door Hinge
9	1400316	DPT Board	14	4003017	#6-32 x 3/16" Long Phillips Pan Head Screw
10	2010089	Card Reader	15	4003025	#6-32 x 1/4" Long Screw
11	Debit Module		16	8801077	Card Reader Angle Bracket
	2400217-12	Coastal	17	8801078	Card Reader Backing Bracket
	2400217-13	Texaco	18	8801258	Card Reader Mounting Bracket
	2400217-14	Shell	19	8900864	Door Frame
	2400217-15	Mobil	20	For parts call out of Light Box Assembly see 72865.	
	2400217-16	Diamond Shamrock	21	For Touch Pad Door Panels see 72866.	
	2400217-17	Citgo			
	2400217-18	Standard			
	2400217-19	Arco			
	2400217-20	Fina			
	2400217-21	Exxon			
	2400217-23	Gulf Coast			

Tokheim Corporation
5-21

LIGHT BOX ASSEMBLY

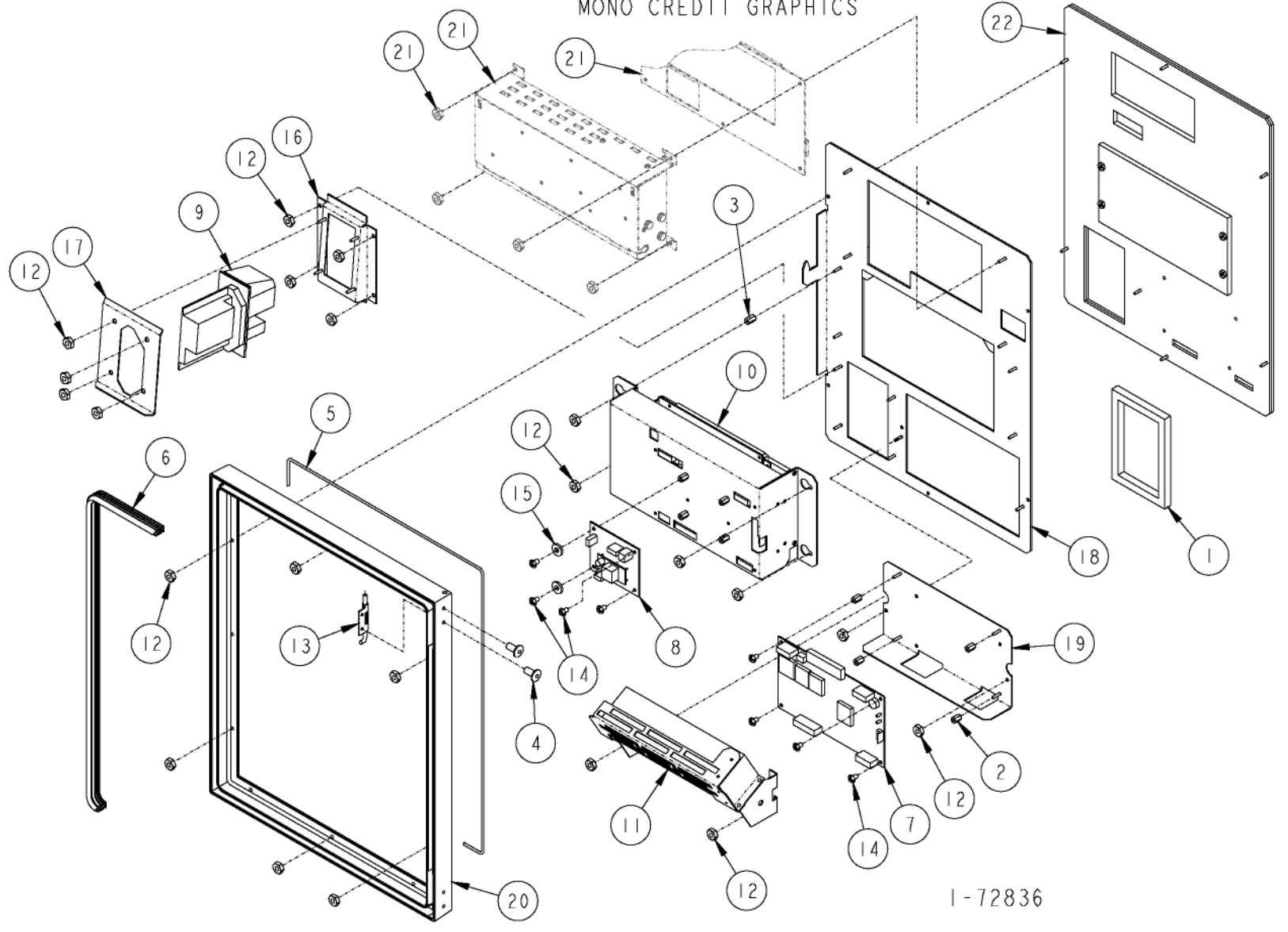


1-72838

LIGHT BOX ASSEMBLY

ITEM PART		
NO.	NO.	DESCRIPTION
1	0070473	Light Bulb
2	0070503	Light Socket
3	1411100	Transformer
4	30220062	#6-32 Kep Nut
5	4003100	#6-32 x 3/8" Long Screw
6	4003582	#8-32 x 3/8" Long Screw
7	8801290	Light Box
8	8801291	Box Cover
9	1400331-2	Customer Display Board
10	0120266	Standoff
11	<u>For parts call out of Mono Graphics Door</u>	
	72836	Credit
	72837	Debit

CENTER DOOR ASSEMBLY
MONO CREDIT GRAPHICS

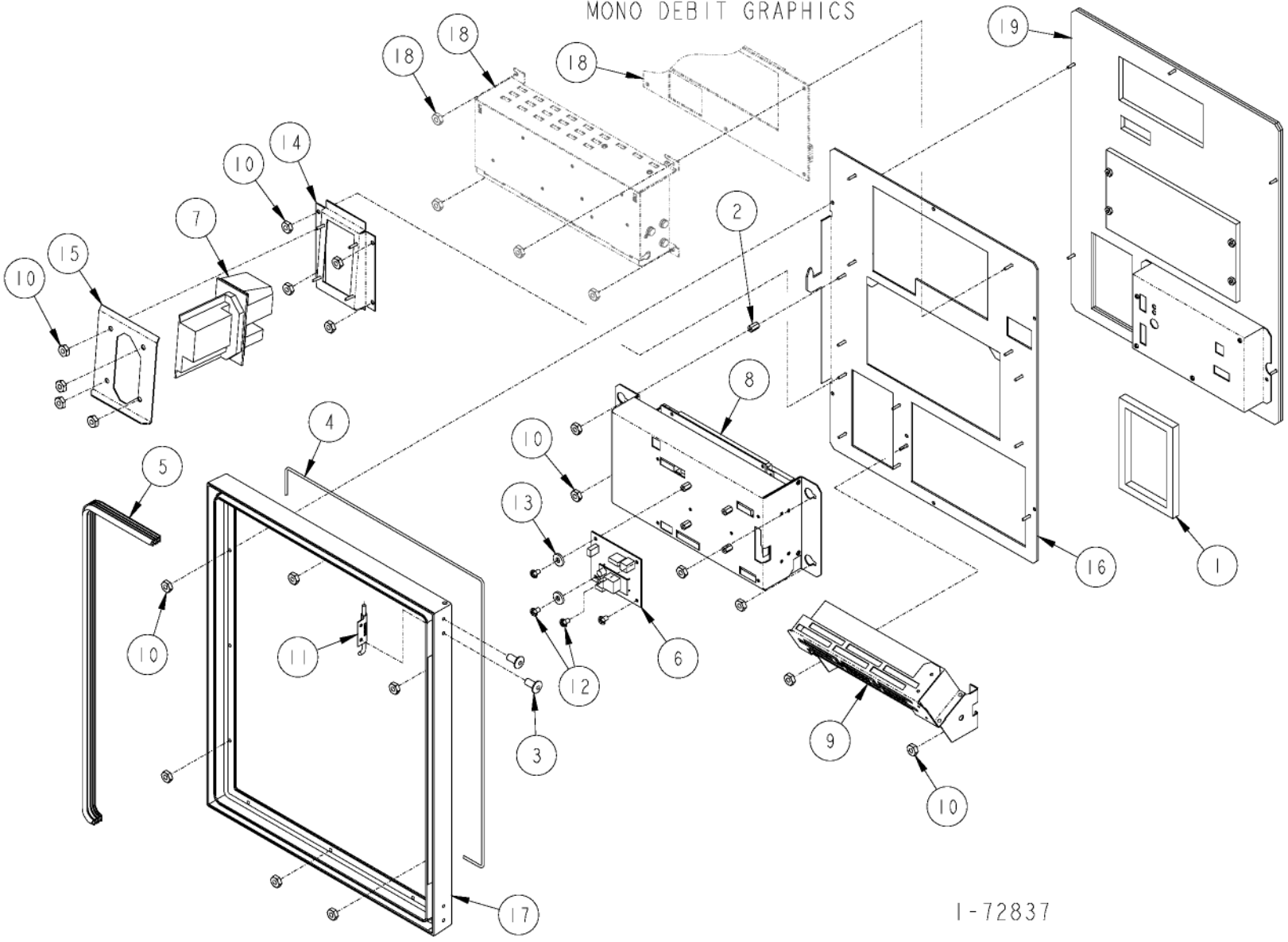


1-72836

CENTER DOOR ASSEMBLY MONO CREDIT GRAPHICS

ITEM PART			ITEM PART		
NO.	NO.	DESCRIPTION	NO.	NO.	DESCRIPTION
1	50-00649	Gasket	21		<u>For parts call out of Light Box Assembly see 72838.</u>
2	0120203	Standoff			
3	0120266	Standoff	22		<u>Touch Pad</u>
4	1-128281	Pop Rivet			<u>0080130-XXX</u>
5	1-233680	Gasket			
6	1-233681	Gasket			<u>For Tokheim internal use only Complete Mono 2400247.</u>
7	1400325	Board			
8	1408006	Backlight Control Board			1-72836
9	2010089	Card Reader			
10	2400244	Mono Credit Display Assembly			
11	2400267 0070539	Fan Assembly (Includes Thermostat) Thermostat			
12	30220062	#6-32 Kep Nut			
13	4180003	Door Hinge			
14	4003017	#6-32 x 3/16" Long Screw			
15	4003025	#6-32 x 1/4" Screw			
16	8801077	Card Reader Angle Bracket			
17	8801078	Card Reader Backing Bracket			
18	8801284	Back Plate			
19	8801299	Credit Board Bracket			
20	8900864	Door Frame			

CENTER DOOR ASSEMBLY
MONO DEBIT GRAPHICS



1-72837

TOUCH PAD DOOR PANELS

Centurion Dispensers

(Refer to description to determine part number for appropriate touch pad configuration.)

PART

NO.

DESCRIPTION

Centurion Dispensers before April 1, 1997 (16 Stud to 6 Stud Conversion Kit)

2990137-NCS	Non-Cardsmart
2990137-CDT	Credit
2990137-DBT	Debit

Centurion Dispensers built on or after April 1, 1997

0080124-001	Multi Hose 1 Product, 1 Price, Non-Cardsmart
0080124-002	Multi Hose 2 Product, 1 Price, Non-Cardsmart
0080124-003	Multi Hose 3 Product, 1 Price, Non-Cardsmart
0080124-004	Multi Hose 4 Product, 1 Price, Non-Cardsmart
0080125-002	Single Hose 2 Product, 1 Price, Non-Cardsmart
0080125-003	Single Hose 3 Product, 1 Price, Non-Cardsmart
0080125-004	Single Hose 4 Product, 1 Price, Non-Cardsmart
0080125-005	Single Hose 5 Product, 1 Price, Non-Cardsmart
0080126-001	Multi Hose 1 Product, 1 Price, Preset Option
0080126-002	Multi Hose 2 Product, 1 Price, Preset Option
0080126-003	Multi Hose 3 Product, 1 Price, Preset Option
0080126-004	Multi Hose 4 Product, 1 Price, Preset Option
0080127-002	Single Hose 2 Product, 1 Price, Preset Option
0080127-003	Single Hose 3 Product, 1 Price, Preset Option
0080127-004	Single Hose 4 Product, 1 Price, Preset Option
0080127-005	Single Hose 5 Product, 1 Price, Preset Option
0080128-001	Multi Hose 1 Product, 1 Price, Cardsmart & Debit Multi
0080128-002	Hose 2 Product, 1 Price, Cardsmart & Debit Multi
0080128-003	Hose 3 Product, 1 Price, Cardsmart & Debit Multi
0080128-004	Hose 4 Product, 1 Price, Cardsmart & Debit Single
0080129-002	Hose 2 Product, 1 Price, Cardsmart & Debit Single
0080129-003	Hose 3 Product, 1 Price, Cardsmart & Debit Single
0080129-004	Hose 4 Product, 1 Price, Cardsmart & Debit Single
0080129-005	Hose 5 Product, 1 Price, Cardsmart & Debit

