

## Centurion

# Hydraulics

Filter Adaptor Body & Check Valve

Meters, Pulsers & Totalizers

Discharge Hydraulics

Models 11101 & 11111

Models 22101 & 22111

Models 22201 & 22221

Models 23101, 23111, 24101, 24111, 25101 & 25111

Models 23102, 23112, 24102, 24112, 25102 & 25112

Models 23302 & 23332

Models 33102 & 33112

Models 33302 & 33332

Models 34202, 34222 With Diesel & 35202, 35222 With Diesel

Models 34402, 34442 With Diesel & 35402, 35442 With Diesel

Models 44202 & 44222 With Diesel

Models 44402 & 44442 With Diesel

Vapor Control Assembly

Vapor Balanced (Narrow Frame)

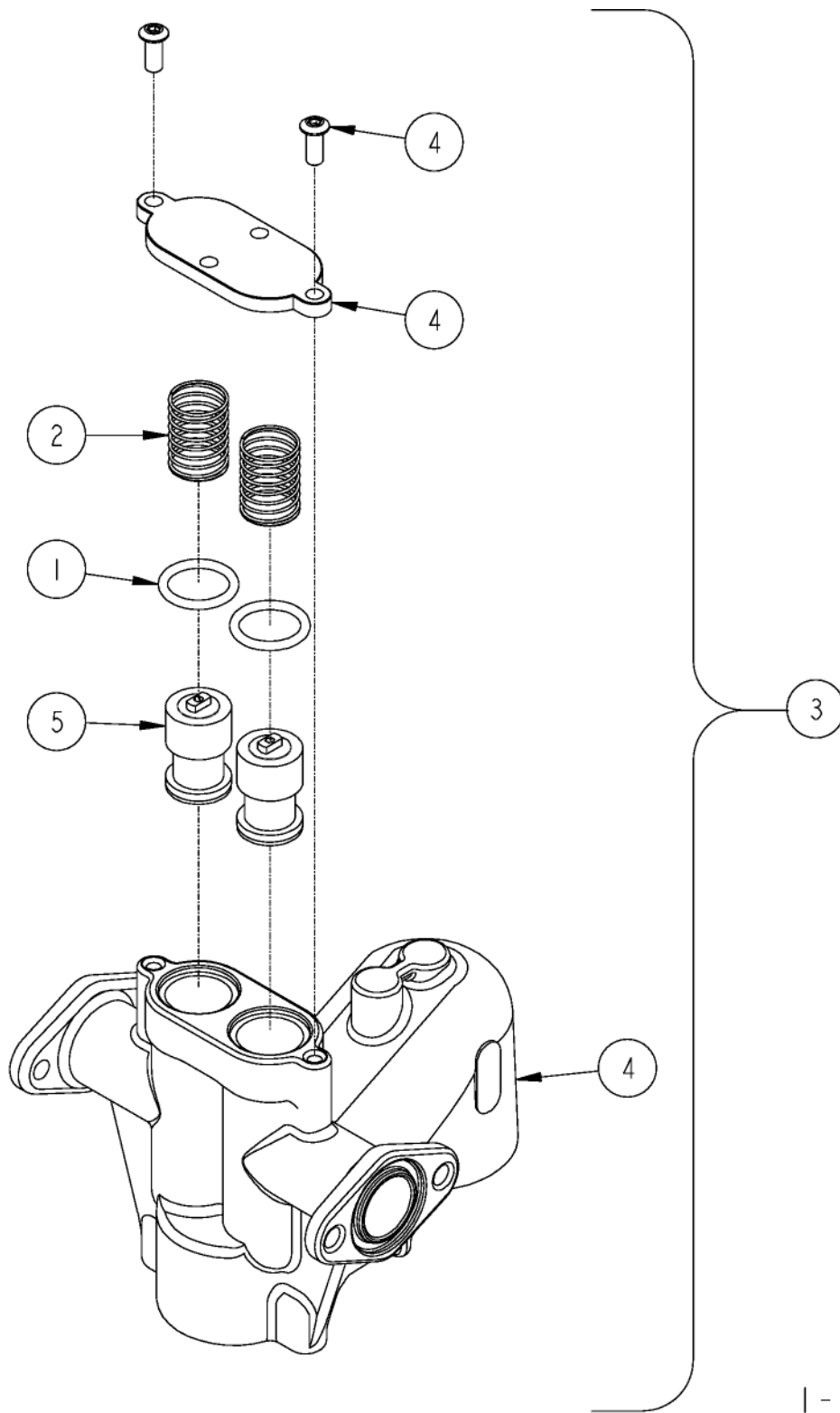
Vapor Balanced (Wide Frame)

Franklin Vapor Assist System (Narrow Frame)

Franklin Vapor Assist System (Wide Frame)

Hose Outlet Adapter

# LTER ADAPTOR BODY & CHECK VALVES



1-72854

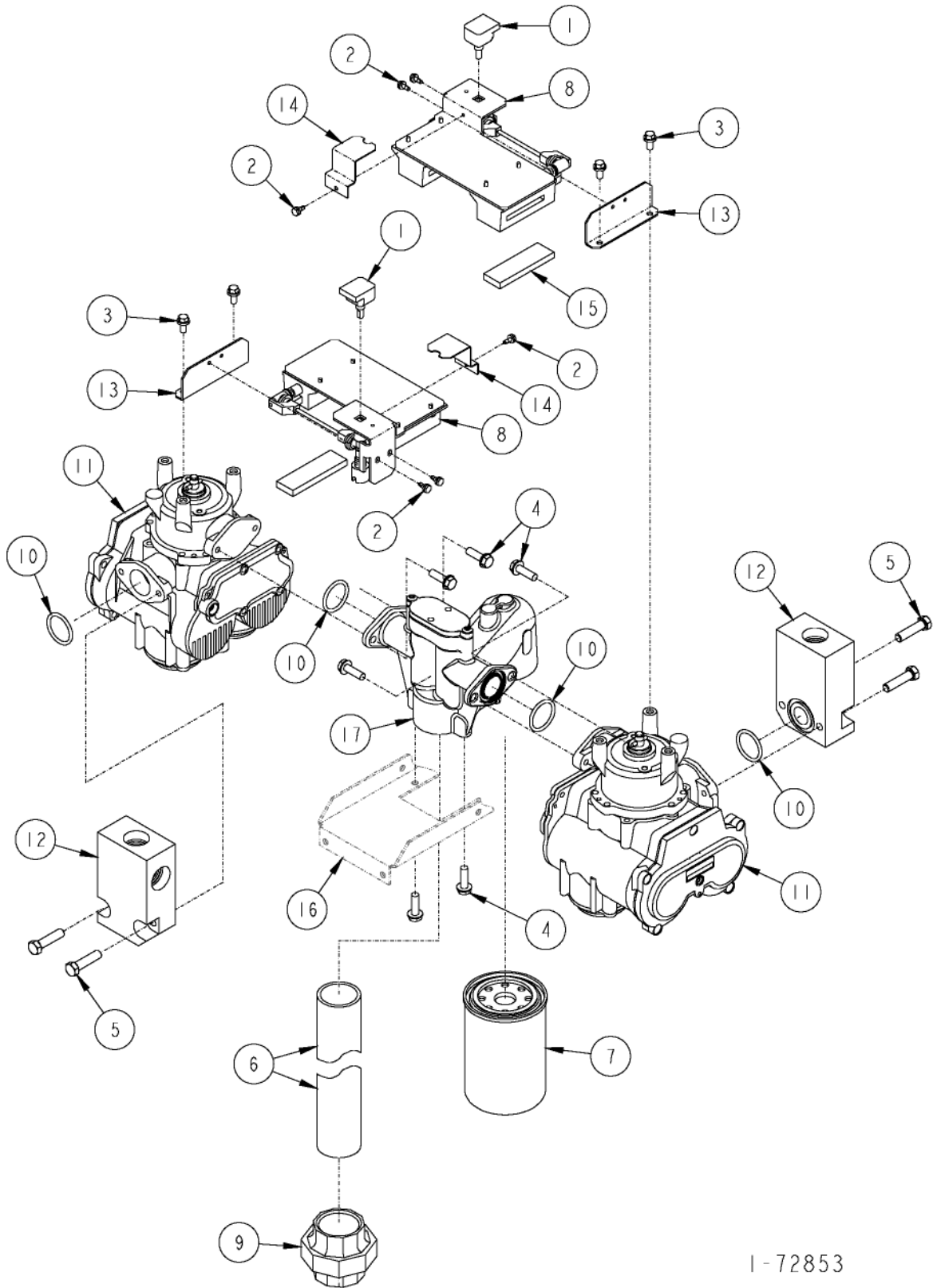
**FILTER ADAPTOR BODY & CHECK VALVES**

---

ITEM PART		
NO.	NO.	DESCRIPTION
1	416002	"O" Ring
2	417100	Spring
3	810033	Vertical Filter Assembly (With check valves, "o" rings and springs)
4	810034	Vertical Filter Assembly (Without check valves)
5	830042	Check Valve

---

# METERS, PULSERS & TOTALIZERS



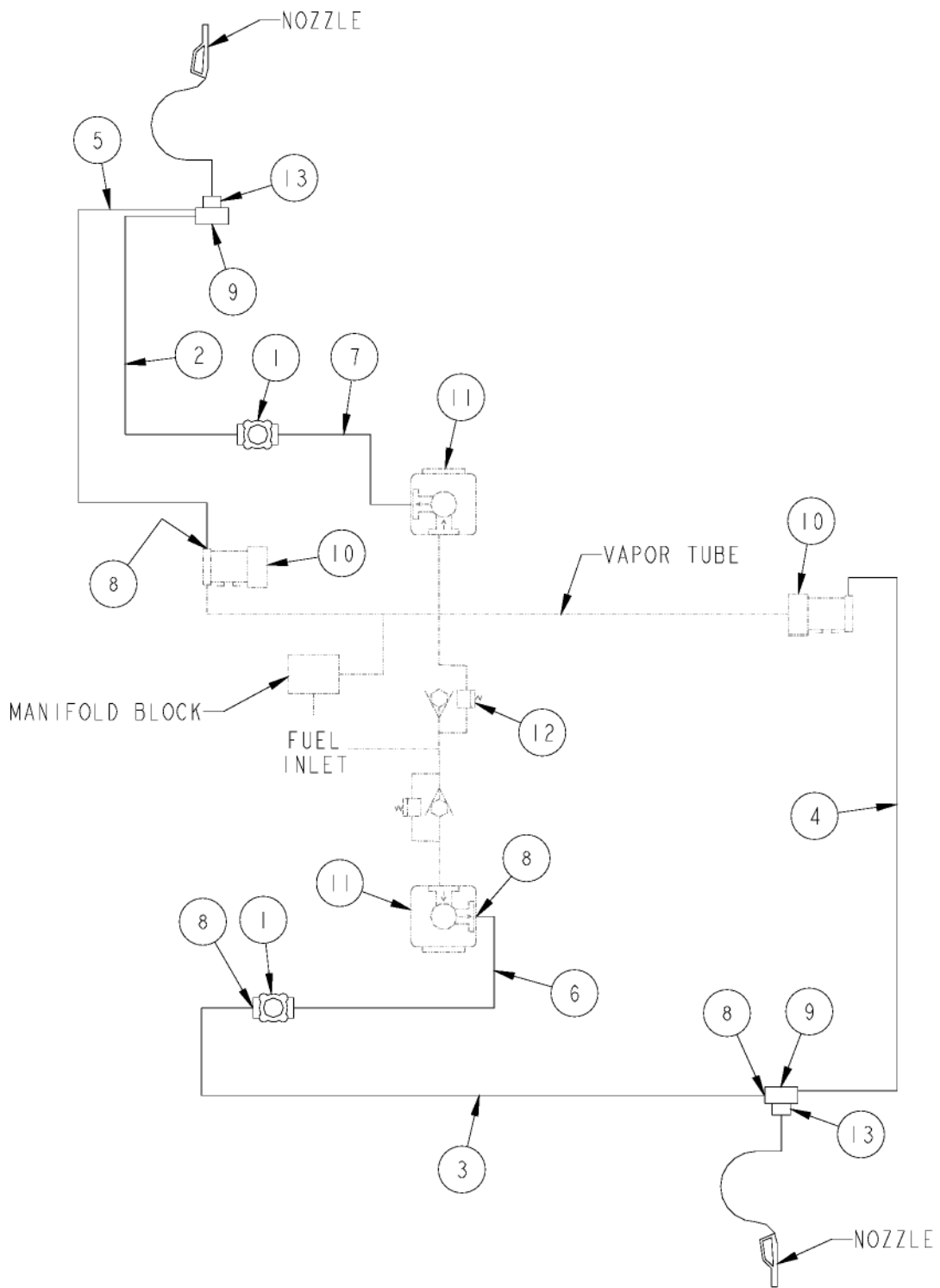
1-72853

## METERS, PULSERS & TOTALIZERS

ITEM PART			ITEM PART		
NO.	NO.	DESCRIPTION	NO.	NO.	DESCRIPTION
1	0070507	Dual Output Pulsar	13	8801154	Pulsar Bracket
2	4003582	#8-32 x 3/8" Long Screw	14	8801192	Pulsar Cover
3	4005047	1/4-20 x 1/2" Long	15	X-779-1	Cushion
4	4005516	5/16-18 x 1" Long Screw			
5	4005523	5/16-18 x 1 1/2" Long Screw	16	For parts call out of Lower Frame Assembly see 72824.	
				72824	Remote Control System
				72856	Suction System
6	1 1/2" Inlet Pipe		17	For parts call out of Filter Adaptor Body & Check Valves see 72854.	
	X-473-7	7" Long (Venezuela)			
	4070227	15 11/16" Long			
	4070274	14 1/4" Long			
	4070316	16 1/2" Long			
7	Filter Element "Screw on"				
	X-766	70010 Cim-Tek			
	X-766-1	"Particle"			
	4100183	70013 "Water Absorbent"			
	4100184	40510P Petro-Clear "Particle"			
		40510W Petro-Clear "Water Absorbent"			
8	Extended Totalizer				
	4130128	Gallon			
	4130129	Liter			
	4130130	Canada			
9	7-51780	Inlet Pipe Union			
1	8100046	"O" Ring			
1	8100309	SM100A Meter			
1					
1	8100335	Manifold Block (Models 23302, 23332, 34402, 34442)			
	8300409	Meter/Tube Adapter (All models prior to 2/97)			

# DISCHARGE HYDRAULICS

MODELS 11101 & 11111



1-72867

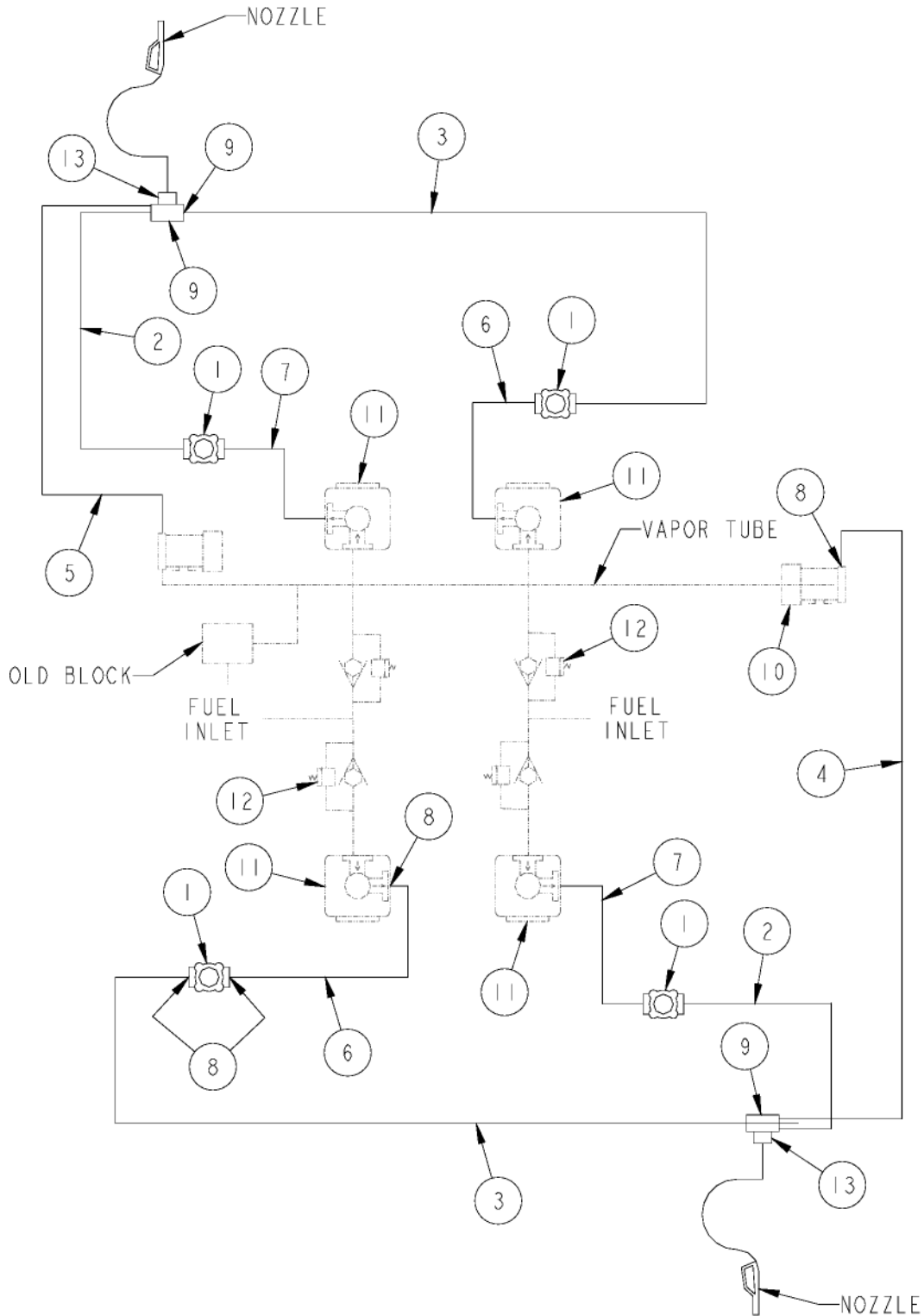
## DISCHARGE HYDRAULICS

### MODELS 11101 & 11111

ITEM NO.	PART NO.	DESCRIPTION
1	1411082	2 Stage Valve
2	4070232	Valve to Manifold Fuel Tube (Side "B")
3	4070233	Valve to Manifold Fuel Tube (Side "A")
4	4070241	Vapor Recovery Tube (Side "A")
5	4070242	Vapor Recovery Tube (Side "B")
6	Meter to Valve Fuel Tube (Side "A")	
	4070230	Prior to 2/1997
	4070270	2/1997 to present
7	Meter to Valve Fuel Tube (Side "B")	
	4070231	Prior to 2/1997
	4070271	2/1997 to present
8	4160009	"O" Ring
9	8100313-9	Outlet Manifold
10	For parts call out of Vapor Control Assembly see:	
	72845	Franklin Vapor Assist System (Narrow Frame)
	72846	Franklin Vapor Assist System (Wide Frame)
	72847	Vapor Balanced System (Narrow Frame)
	72848	Vapor Balanced System (Wide Frame)
11	For parts call out of Meters, Pulsers & Totalizers see 72853.	
12	For parts call out of Filter Adapter Body & Check Valves see	
13	For parts call out of Hose Outlet Adapters see 72855.	

# DISCHARGE HYDRAULICS

## MODELS 22101 & 22111





Centurion Dispensers Parts Manual

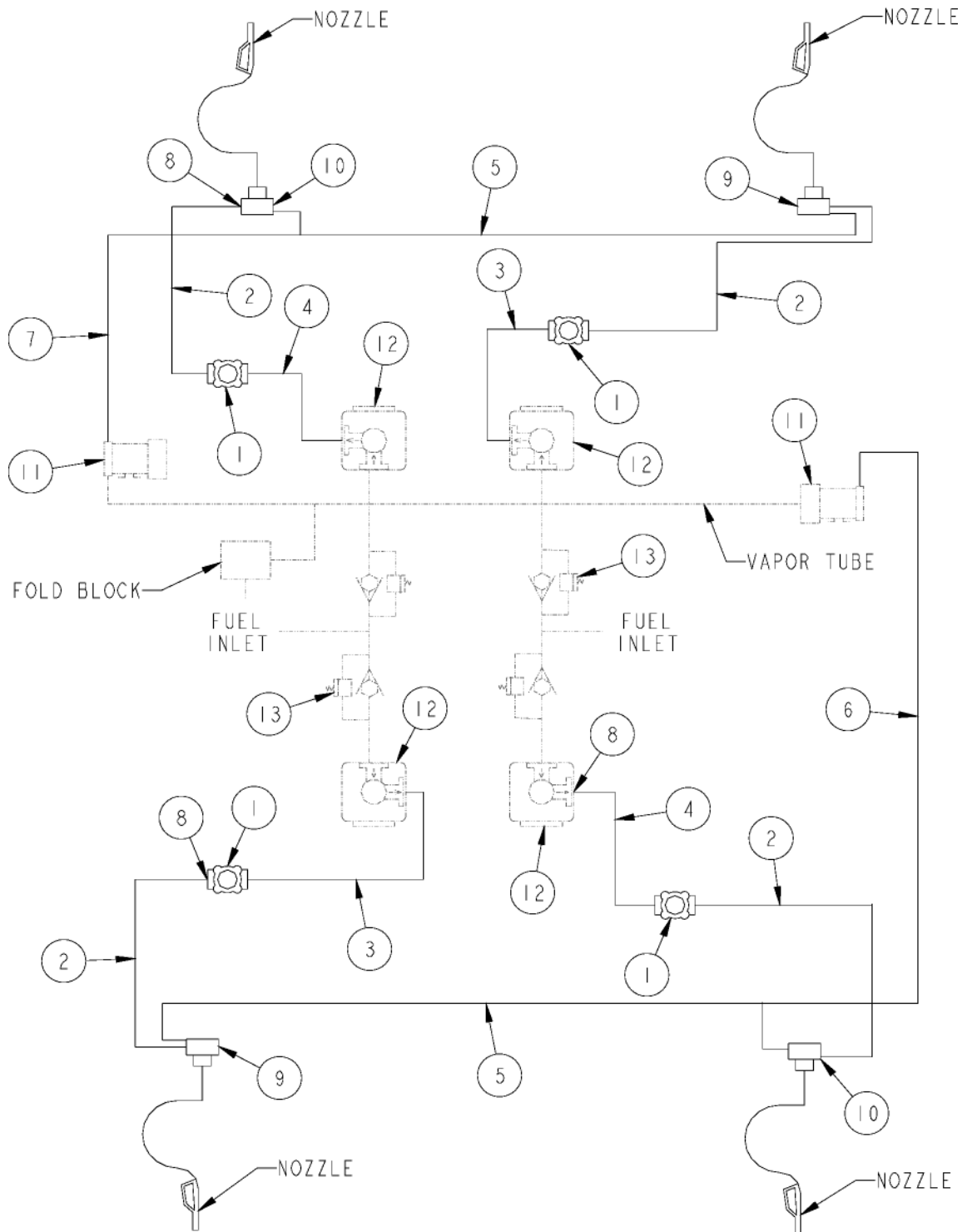
## DISCHARGE HYDRAULICS

### MODELS 22101 & 22111

ITEM NO.	PART NO.	DESCRIPTION
1	1411082	2 Stage Valve
2	4070232	Valve to Manifold Fuel Tube
3	4070233	Valve to Manifold Fuel Tube
4	4070241	Vapor Recovery Tube (Side "A")
5	4070242	Vapor Recovery Tube (Side "B")
6	<u>Meter to Valve Fuel Tube</u>	
	4070230	Prior to 2/1997
	4070270	2/1997 to present
7	<u>Meter to Valve Fuel Tube</u>	
	4070231	Prior to 2/1997
	4070271	2/1997 to present
8	4160009	"O" Ring
9	8100313-7	Outlet Manifold
10	<u>For parts call out of Vapor Control Assembly see:</u>	
	72845	Franklin Vapor Assist System (Narrow Frame)
	72846	Franklin Vapor Assist System (Wide Frame)
	72847	Vapor Balanced System (Narrow Frame)
	72848	Vapor Balanced System (Wide Frame)
11	<u>For parts call out of Meters, Pulsers &amp; Totalizers see 72853.</u>	
12	<u>For parts call out of Filter Adapter Body &amp; Check Valves see</u>	
13	<u>For parts call out of Hose Outlet Adapters see 72855.</u>	

# DISCHARGE HYDRAULICS

MODELS 22201 & 22221



1-72869

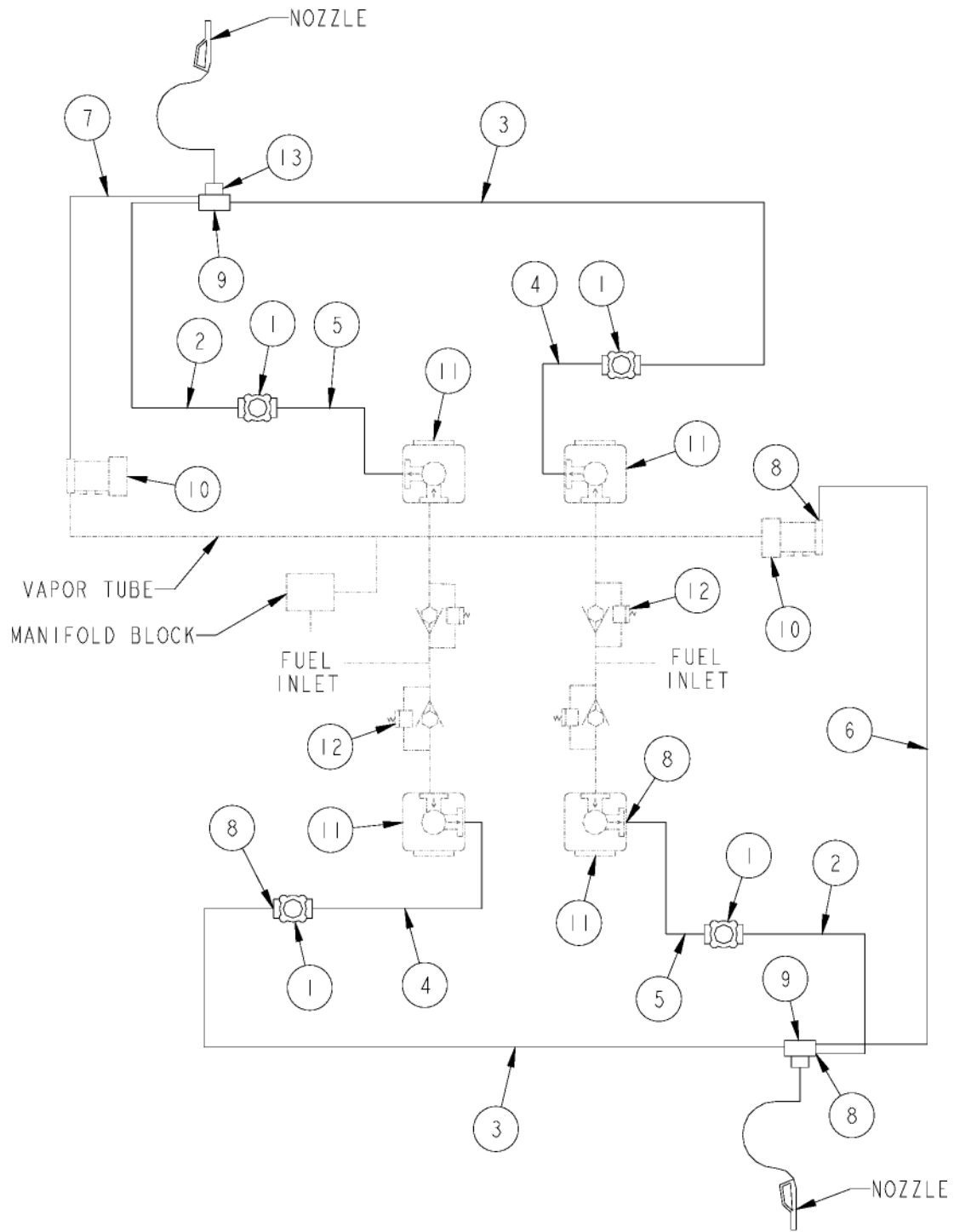
## DISCHARGE HYDRAULICS

### MODELS 22201 & 22221

ITEM PART		
NO.	NO.	DESCRIPTION
1	1411082	2 Stage Valve
2	4070232	Valve to Manifold Fuel Tube
3	<u>Meter to Valve Fuel Tube</u>	
	4070270	Prior to 2/1997
	4070270	2/1997 to present
4	<u>Meter to Valve Fuel Tube</u>	
	4070231	Prior to 2/1997
	4070271	2/1997 to present
5	4070295	Manifold to Manifold Vapor Recovery Tube
6	4070296	Vapor Recovery Tube (Side "A")
7	4070297	Vapor Recovery Tube (Side "B")
8	4160009	"O" Ring
9	8100313-3	Outlet Manifold (Product 1, Side "A" & Product 2, Side "B")
10	8100313-14	Outlet Manifold (Product 1, Side "B" & Product 2, Side "A")
11	<u>For parts call out of Vapor Control Assembly see:</u>	
	72845	Franklin Vapor Assist System (Narrow Frame)
	72846	Franklin Vapor Assist System (Wide Frame)
	72847	Vapor Balanced System (Narrow

# DISCHARGE HYDRAULICS

MODELS 23101, 23111, 24101, 24111, 25101 & 25111



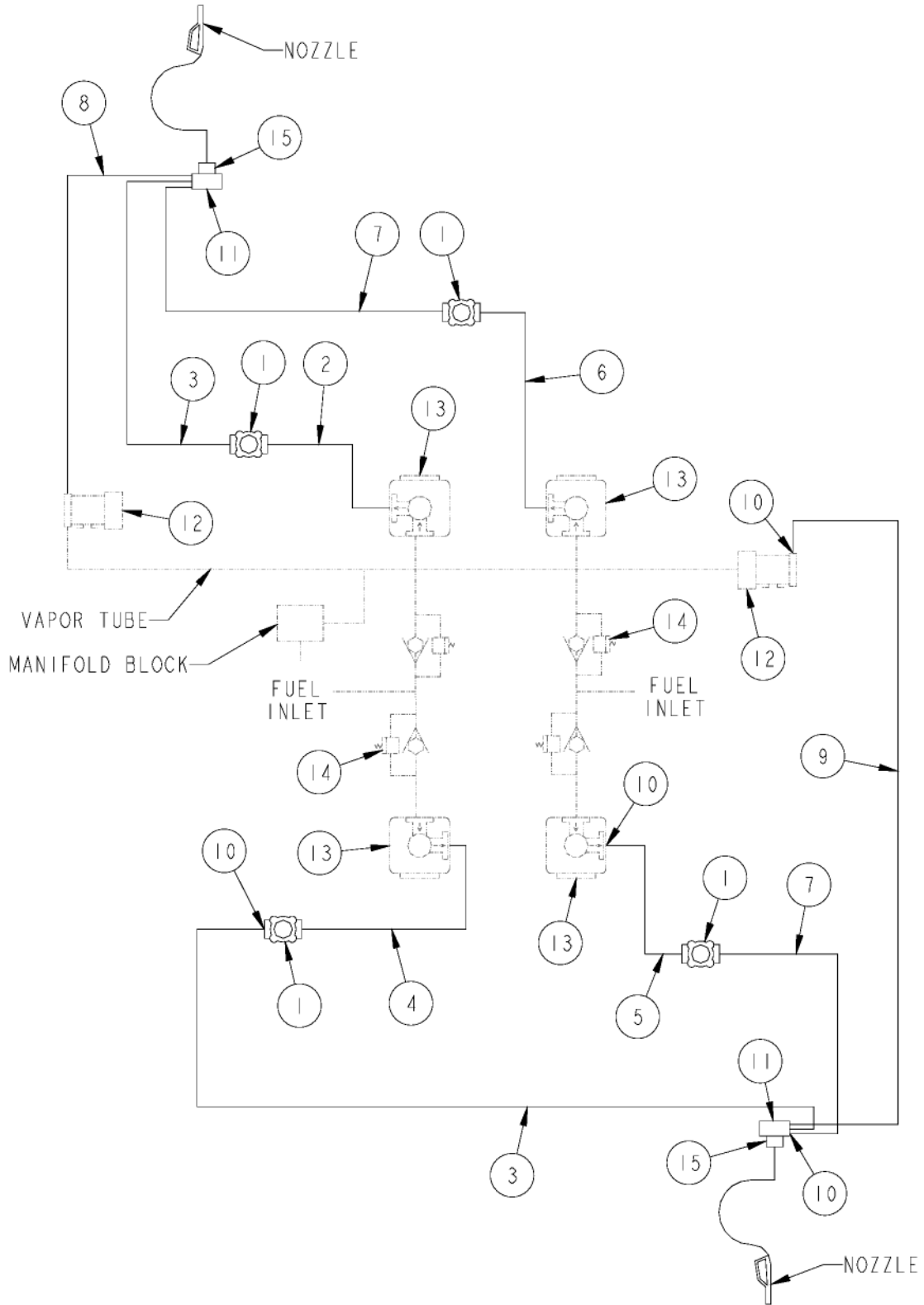
1-72870

**DISCHARGE HYDRAULICS**  
**MODELS 23101, 23111, 24101, 24111, 25101 & 25111**

ITEM NO.	PART NO.	DESCRIPTION
1	1411094	Blend Valve
2	4070232	Valve to Manifold Fuel Tube
3	4070233	Valve to Manifold Fuel Tube
4	<u>Meter to Valve Fuel Tube</u>	
	4070230	Prior to 2/1997
	4070270	2/1997 to present
5	<u>Meter to Valve Fuel Tube</u>	
	4070231	Prior to 2/1997
	4070271	2/1997 to present
6	4070241	Vapor Recovery Tube (Side "A")
7	4070242	Vapor Recovery Tube (Side "B")
8	4160009	"O" Ring
9	8100313-7	Outlet Manifold
10	<u>For parts call out of Vapor Control Assembly see:</u>	
	72845	Franklin Vapor Assist System (Narrow Frame)
	72846	Franklin Vapor Assist System (Wide Frame)
	72847	Vapor Balanced System (Narrow Frame)
	72848	Vapor Balanced System (Wide Frame)
11	<u>For parts call out of Meters, Pulsers &amp; Totalizers see 72853.</u>	
12	<u>For parts call out of Filter Adapter Body &amp; Check Valves see 72854.</u>	
13	<u>For parts call out of Hose Outlet Adapters see 72855.</u>	

# DISCHARGE HYDRAULICS

MODELS 23102, 23112, 24102, 24112, 25102 & 25112



1-72871

## DISCHARGE HYDRAULICS

### MODELS 23102, 23112, 24102, 24112, 25102 & 25112

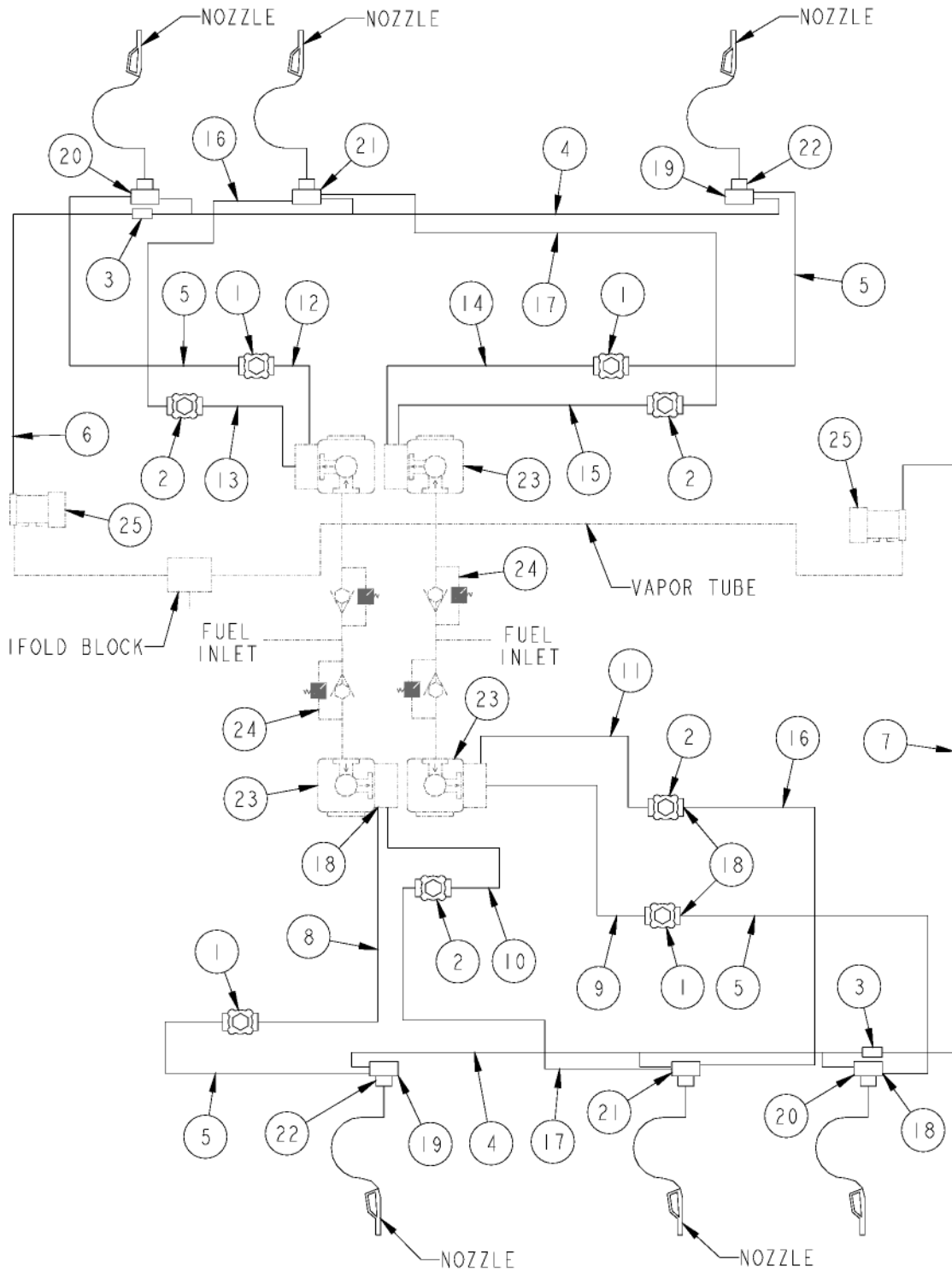
ITEM PART

NO. NO.	DESCRIPTION	ITEM PART NO. NO.	DESCRIPTION
1	1411094		Blend Valve
2	<u>Meter to Valve Fuel Tube</u>	12	<u>For parts call out of Vapor Control Assembly see:</u>
	4070185		72845 Franklin Vapor Assist System (Narrow Frame)
	4070264		72846 Franklin Vapor Assist System (Wide Frame)
3	<u>Valve to Manifold Fuel Tube</u>		72847 Vapor Balanced System
	4070187		
	4070232		(Narrow Frame)
4	<u>Meter to Valve Fuel Tube</u>		72848 Vapor Balanced System (Wide Frame)
	4070194		
	4070266		
5	<u>Meter to Valve Fuel Tube</u>	13	<u>For parts call out of Meters, Pulsers &amp; Totalizers see 72853.</u>
	4070195		
	4070267		
6	<u>Meter to Valve Fuel Tube</u>	14	<u>For parts call out of Filter Adapter Body &amp; Check Valves see 72854.</u>
	4070228		
	4070269		
7	4070229		Valve to Manifold Fuel Tube
8	4070236		Vapor Recovery Tube (Side "B")
9	4070239		Vapor Recovery Tube (Side "A")
10	4160009		"O" Ring
11	8100313-5		Outlet Manifold
			1-72871



# DISCHARGE HYDRAULICS

MODELS 23302 & 23332



I-72872

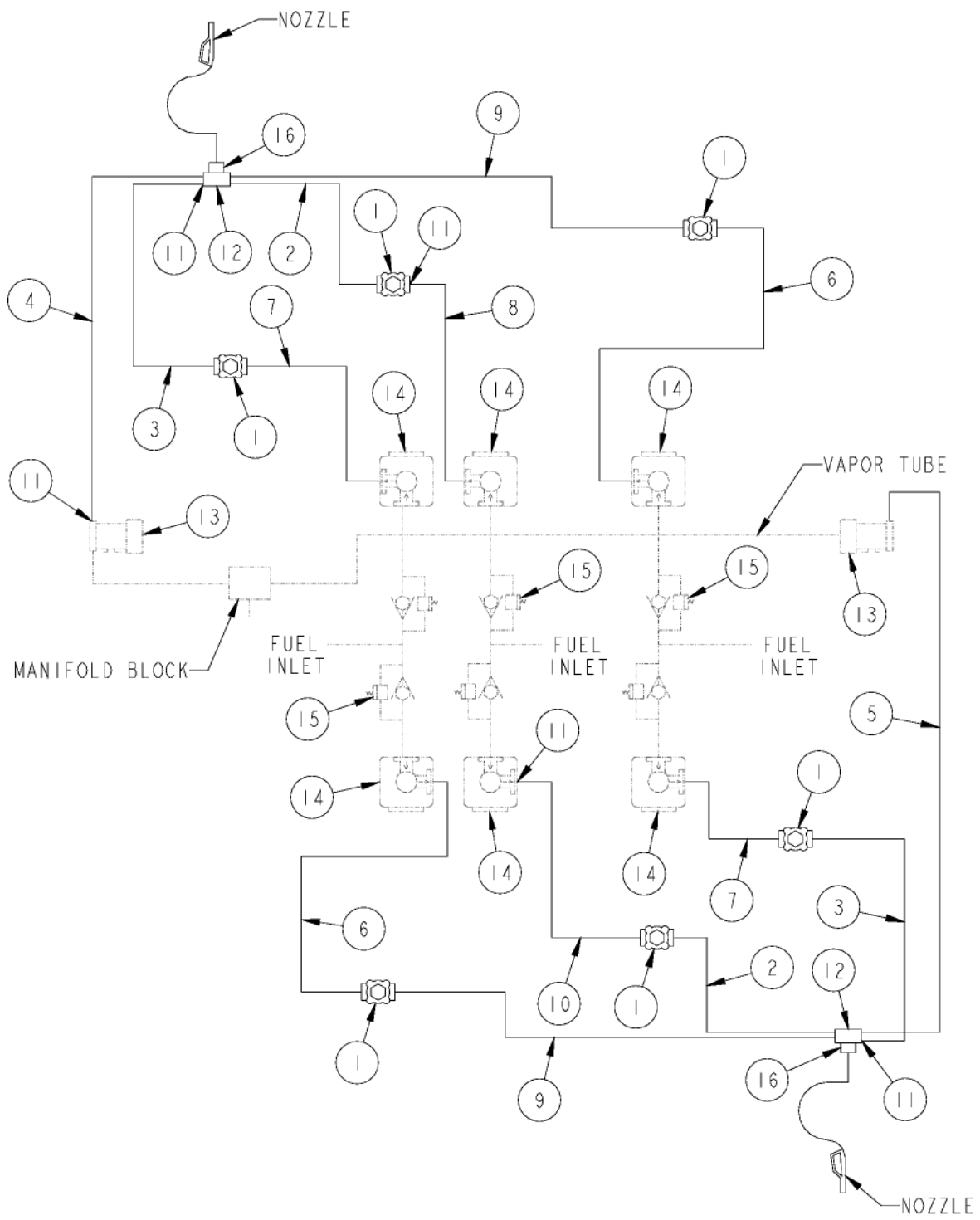
## DISCHARGE HYDRAULICS

### MODELS 23302 & 23332

ITEM PART			ITEM PART		
NO.	NO.	DESCRIPTION	NO.	NO.	DESCRIPTION
1	1411082	2 Stage Valve	22	<u>For parts call out of Vapor Control Assembly see:</u>	
2	1411094	Blend Valve			
3	4070206	Coupling Tubing	72845	Franklin Vapor Assist System (Narrow Frame)	
4	4070189-1	Manifold to Manifold Vapor Tube	72846	Franklin Vapor Assist System (Wide Frame)	
5	2 Stage Valve to Manifold Fuel Tube		72847	Vapor Balanced System (Narrow Frame)	
	4070187	Prior to 2/1997			
	4070232	2/1997 to present	72848	Vapor Balanced System (Wide Frame)	
6	4070236	Vapor Recovery Tube (Side "B")	23	<u>For parts call out of Meters, Pulsers &amp; Totalizers see 72853.</u>	
7	4070239	Vapor Recovery Tube (Side "A")	24	<u>For parts call out of Filter Adapter Body &amp; Check Valves see 72854.</u>	
8	4070250	Meter to 2 Stage Valve Fuel Tube	25	<u>For parts call out of Hose Outlet Adapters see 72855.</u>	
9	4070251	Meter to 2 Stage Valve Fuel Tube			
10	4070256	Meter to Blend Valve Fuel Tube			1-72872
11	4070257	Meter to Blend Valve Fuel Tube			
12	4070258	Meter to 2 Stage Valve			
13	4070259	Blend Valve to Manifold			
14	4070260	Meter to 2 Stage Valve			
15	4070261	Meter to Blend Valve			
16	4070272	Blend Valve to Manifold Fuel Tube			
17	4070273	Blend Valve to Manifold Fuel Tube			
18	4160009	"O" Ring			
19	8100313-3	Outlet Manifold			
20	8100313-14	Outlet Manifold			
21	8100313-16	Outlet Manifold			

# DISCHARGE HYDRAUL

MODFIS 33107 & 33117



1-72873

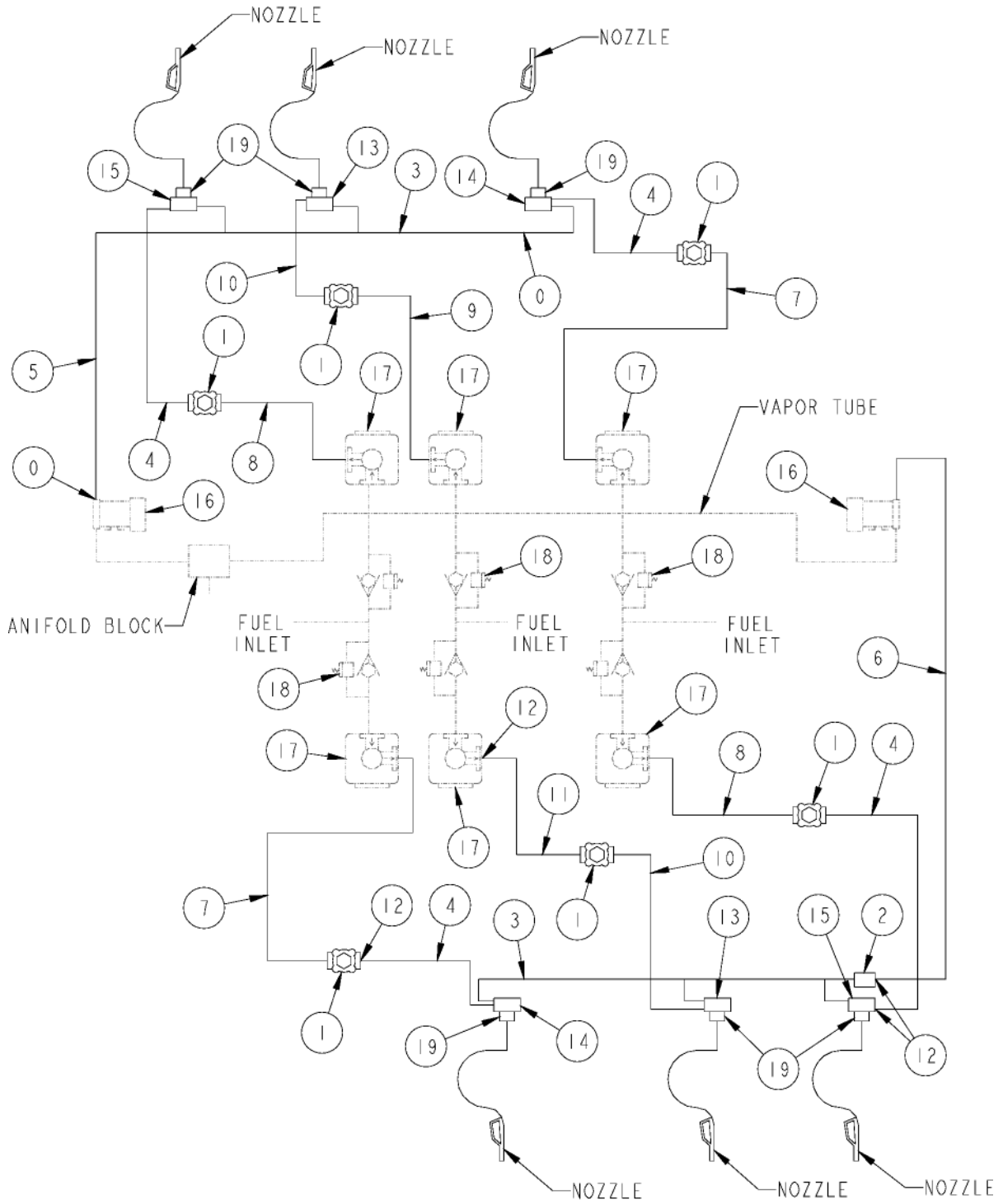
## DISCHARGE HYDRAULICS

### MODELS 33102 & 33112

ITEM PART			ITEM PART		
NO.	NO.	DESCRIPTION	NO.	NO.	DESCRIPTION
1	1411082	2 Stage Valve	10	<u>Meter to Valve Fuel Tube</u>	
				4070184	Prior to 2/1997
2	<u>Valve to Manifold Fuel Tube</u>			4070263	
	4070201	Prior to 2/1997		4070304	2/1997 to present
	4070229	2/1997 to present			
3	<u>Valve to Manifold Fuel Tube</u>		11	4160009	"O" Ring
	4070187	Prior to 2/1997	12	8100313-4	Outlet Manifold
	4070232	2/1997 to present	13	<u>For parts call out of Vapor Control</u>	
4	4070236	Vapor Recovery Tube (Side "B")		72845	Franklin Vapor Assist System (Narrow Frame)
5	4070239	Vapor Recovery Tube (Side "A")		72846	Franklin Vapor Assist System (Wide Frame)
6	<u>Meter to Valve Fuel Tube</u>			72847	Vapor Balanced System (Narrow Frame)
	4070183	Prior to 2/1997		72848	Vapor Balanced System (Wide Frame)
	4070262	2/1997 to present			
7	<u>Meter to Valve Fuel Tube</u>		14	<u>For parts call out of Meters, Pulsers &amp;</u>	
	4070185	Prior to 2/1997		Totalizers see 72853.	
	4070264	2/1997 to present	15	<u>For parts call out of Filter Adapter Body</u>	
8	<u>Meter to Valve Fuel Tube</u>			& Check Valves see 72854.	
	4070186	Prior to 2/1997	16	<u>For parts call out of Hose Outlet</u>	
	4070265			Adapters see 72855.	
	4070269	2/1997 to present			
9	<u>Manifold to Valve Fuel Tube</u>				
	4070187	Prior to 2/1997			
	4070206				
	4070302	2/1997 to present			

# DISCHARGE HYDRAULICS

MODELS 33302 & 33332



1-72874

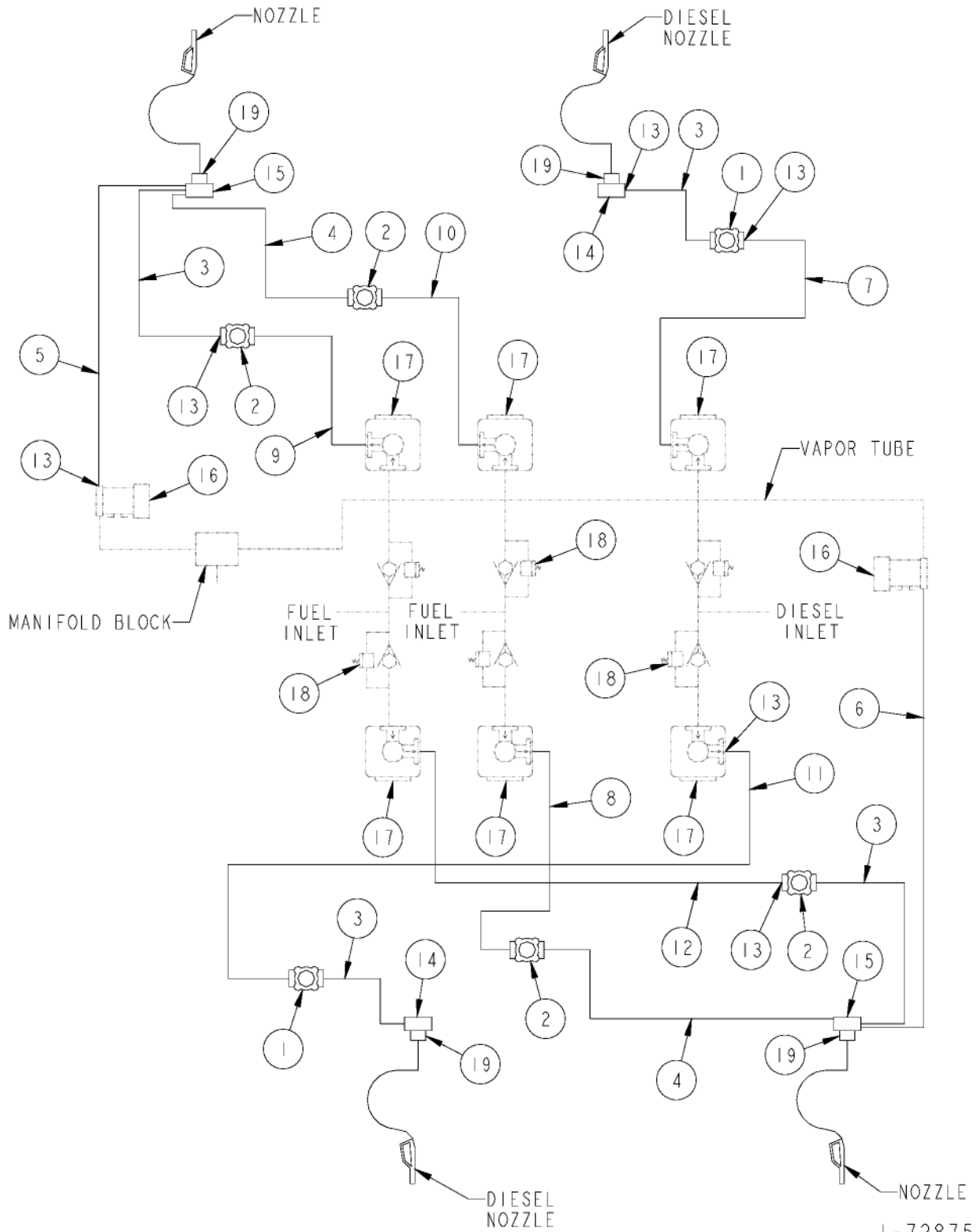
## DISCHARGE HYDRAULICS

### MODELS 33302 & 33332

ITEM PART			ITEM PART		
NO.	NO.	DESCRIPTION	NO.	NO.	DESCRIPTION
1	1411082	2 Stage Valve	12	4160009	"O" Ring
2	4070206	Coupling Tube	13	8100313-2	Outlet Manifold
3	4070189	Coupling to Manifold Vapor Tube	14	8100313-3	Outlet Manifold
4	Valve to Manifold Fuel Tube		15	8100313-14	Outlet Manifold
	4070187	Prior to 2/1997	16	For parts call out of Vapor Control Assembly see:	
	4070232	2/1997 to present	72845	Franklin Vapor Assist System (Narrow Frame)	
5	4070236	Vapor Recovery Tube (Side "B")	72846	Franklin Vapor Assist System (Wide Frame)	
6	4070239	Vapor Recovery Tube (Side "A")	72847	Vapor Balanced System (Narrow Frame)	
7	Meter to Valve Fuel Tube		72848	Vapor Balanced System (Wide Frame)	
	4070183	Prior to 2/1997	17	For parts call out of Meters, Pulsers & Totalizers see 72853.	
	4070262	2/1997 to present	18	For parts call out of Filter Adapter Body & Check Valves see 72854.	
8	Meter to Valve Fuel Tube		19	For parts call out of Hose Outlet Adapters see 72855.	
	4070185	Prior to 2/1997			
	4070264	2/1997 to present			
9	Meter to Valve Fuel Tube				
	4070186	Prior to 2/1997			
	4070269	2/1997 to present			
10	Valve to Manifold Fuel Tube				
	4070188	Prior to 2/1997			
	4070272	2/1997 to present			
11	Meter to Valve Fuel Tube				
	4070184	Prior to 2/1997	4070263		
	4070304	2/1997 to present			

# DISCHARGE HYDRAULICS

MODELS 34202, 34222 WITH DIESEL & 35202, 35222 WITH DIESEL



1-72875

## DISCHARGE HYDRAULICS

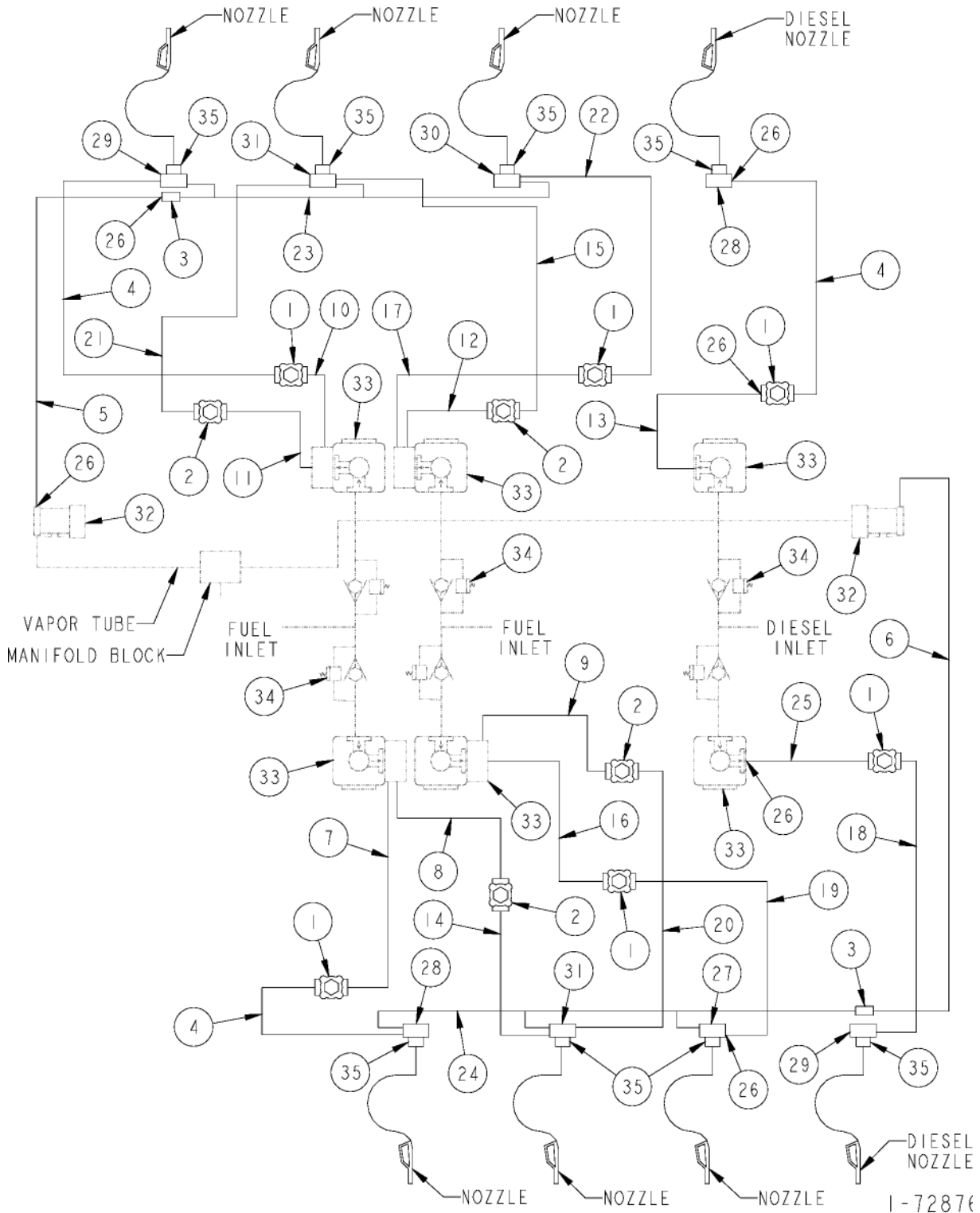
### MODELS 34202, 34222 WITH DIESEL & 35202, 35222 WITH DIESEL

ITEM PART			ITEM PART		
NO.	NO.	DESCRIPTION	NO.	NO.	DESCRIPTION
1	1411082	2 Stage Valve	12	<u>Meter to Valve Fuel Tube</u>	
2	1411094	Blend Valve		4070276	Prior to 2/1997
				4070279	2/1997 to present
3	<u>Valve to Manifold Fuel Tube</u>		13	4160009	"O" Ring
	4070187	Prior to 2/1997	14	8100313-3	Outlet Manifold
	4070232	2/1997 to present	15	8100313-5	Outlet Manifold
4	4070229	Blend Valve to Manifold Fuel Tube	16	<u>For parts call out of Vapor Control Assembly see:</u>	
5	4070236	Vapor Recovery Tube (Side "B")		72845	Franklin Vapor Assist System (Narrow Frame)
6	4070239	Vapor Recovery Tube (Side "A")		72846	Franklin Vapor Assist System (Wide Frame)
7	<u>Meter to Valve Fuel Tube</u>			72847	Vapor Balanced System (Narrow Frame)
	4070183	Prior to 2/1997		72848	Vapor Balanced System (Wide Frame)
	4070262	2/1997 to present			
8	<u>Meter to Blend Valve Fuel Tube</u>		17	<u>For parts call out of Meters, Pulsers &amp; Totalizers see 72853.</u>	
	4070184	Prior to 2/1997	18	<u>For parts call out of Filter Adapter Body &amp; Check Valves see 72854.</u>	
	4070263	2/1997 to present	19	<u>For parts call out of Hose Outlet Adapters see 72855.</u>	
9	<u>Meter to Blend Valve Fuel Tube</u>				
	4070185	Prior to 2/1997			
	4070264	2/1997 to present			
10	<u>Meter to Blend Valve Fuel Tube</u>				
	4070186	Prior to 2/1997			
	4070265	2/1997 to present			
11	<u>Meter to 2 Stage Valve Fuel Tube</u>				
	4070225	Prior to 2/1997			
	4070268	2/1997 to present			



# DISCHARGE HYDRAULICS

MODELS 34402, 34442 WITH DIESEL & 35402, 35442 WITH DIESEL

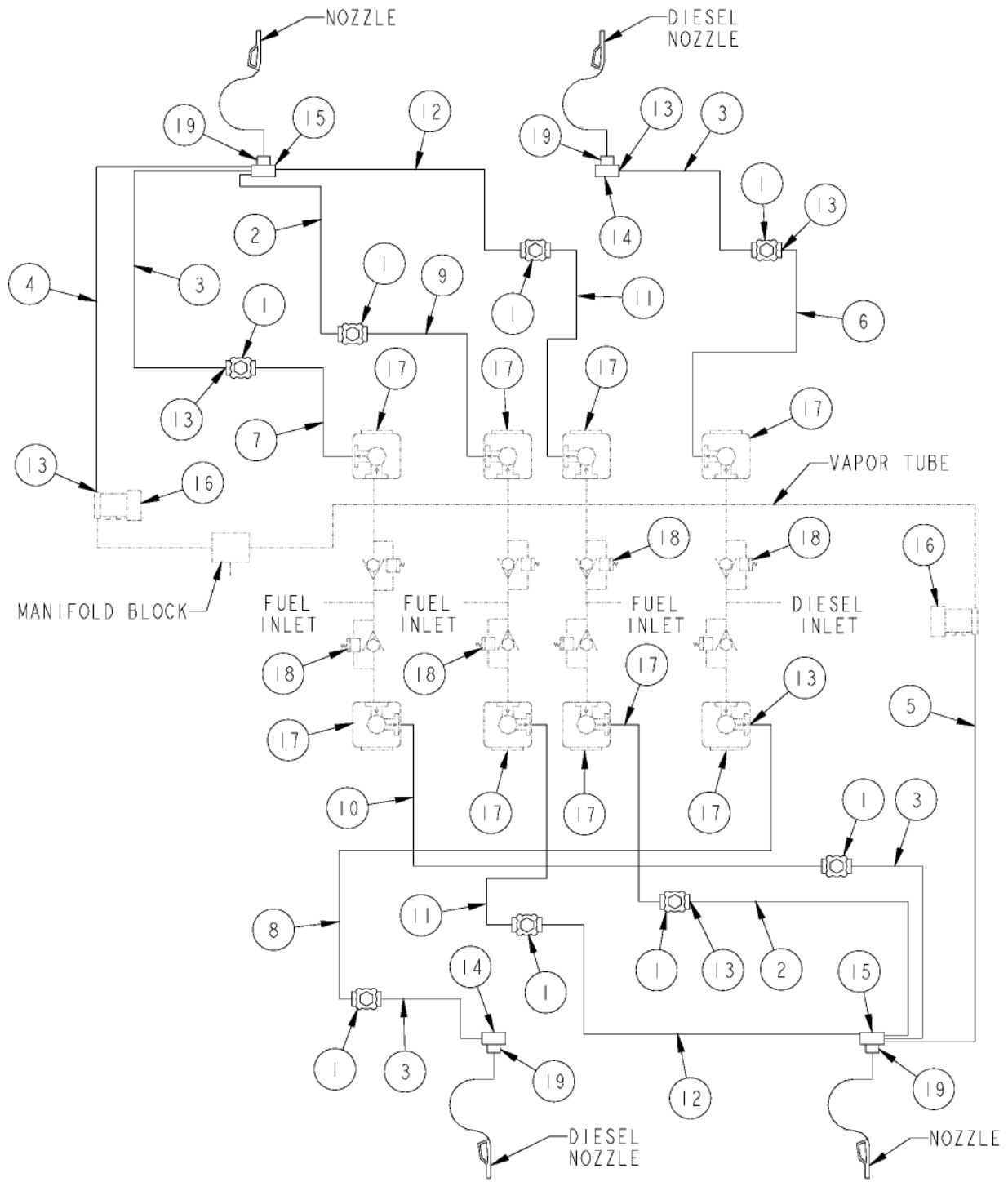


**DISCHARGE HYDRAULICS**  
**MODELS 34402, 34442 WITH DIESEL & 35402, 35442 WITH DIESEL**

ITEM PART			ITEM PART		
NO.	NO.	DESCRIPTION	NO.	NO.	DESCRIPTION
1	1411082	2 Stage Valve	19	4070283	2 Stage Valve to Manifold Fuel Tube
2	1411094	Blend Valve	20	4070284	Blend Valve to Manifold Fuel Tube
3	4070206	Coupling Tube	21	4070285	Blend Valve to Manifold Fuel Tube
4	Valve to Manifold Fuel Tube		22	4070286	2 Stage Valve to Manifold Fuel Tube
	4070187	Prior to 2/1997	23	4070292	Coupling to Manifold Tube
	4070232	2/1997 to present	24	4070293	Manifold to Coupling Vapor Recovery Tube
5	4070236	Vapor Recovery Tube (Side "B")	25	4070300	Meter to 2 Stage Valve Fuel Tube
6	4070230	Vapor Recovery Tube (Side "A")	26	4160009	"O" Ring
7	4070250	Meter to 2 Stage Valve Fuel Tube	27	8100313-2	Outlet Manifold
8	4070256	Meter to 2 Stage Valve Fuel Tube	28	8100313-3	Outlet Manifold
9	4070257	Meter to Blend Valve Fuel Tube	29	8100313-14	Outlet Manifold
10	4070258	Meter to 2 Stage Valve Fuel Tube	30	8100313-15	Outlet Manifold
11	4070259	Meter to Blend Valve Fuel Tube	31	8100313-16	Outlet Manifold
12	4070261	Meter to Blend Valve Fuel Tube	32	For parts call out of Vapor Control Assembly see:	
13	Meter to Valve Fuel Tube		72845	Franklin Vapor Assist System (Narrow Frame)	
	4070183	Prior to 2/1997	72846	Franklin Vapor Assist System (Wide Frame)	
	4070262	2/1997 to present	72847	Vapor Balanced System (Narrow Frame)	
14	4070272	Blend Valve to Manifold Fuel Tube	72848	Vapor Balanced System (Wide Frame)	
15	4070273	Blend Valve to Manifold Fuel Tube	33	For parts call out of Meters, Pulsers & Totalizers see 72853.	
16	4070280	Meter to 2 Stage Valve Fuel Tube	34	For parts call out of Filter Adapter Body & Check Valves see 72854.	
17	4070281	Meter to 2 Stage Valve Fuel Tube	35	For parts call out of Hose Outlet Adapters see 72855.	
18	4070282	2 Stage Valve to Manifold Fuel Tube			

# DISCHARGE HYDRAULICS

MODELS 44202 & 44222 WITH DIESEL



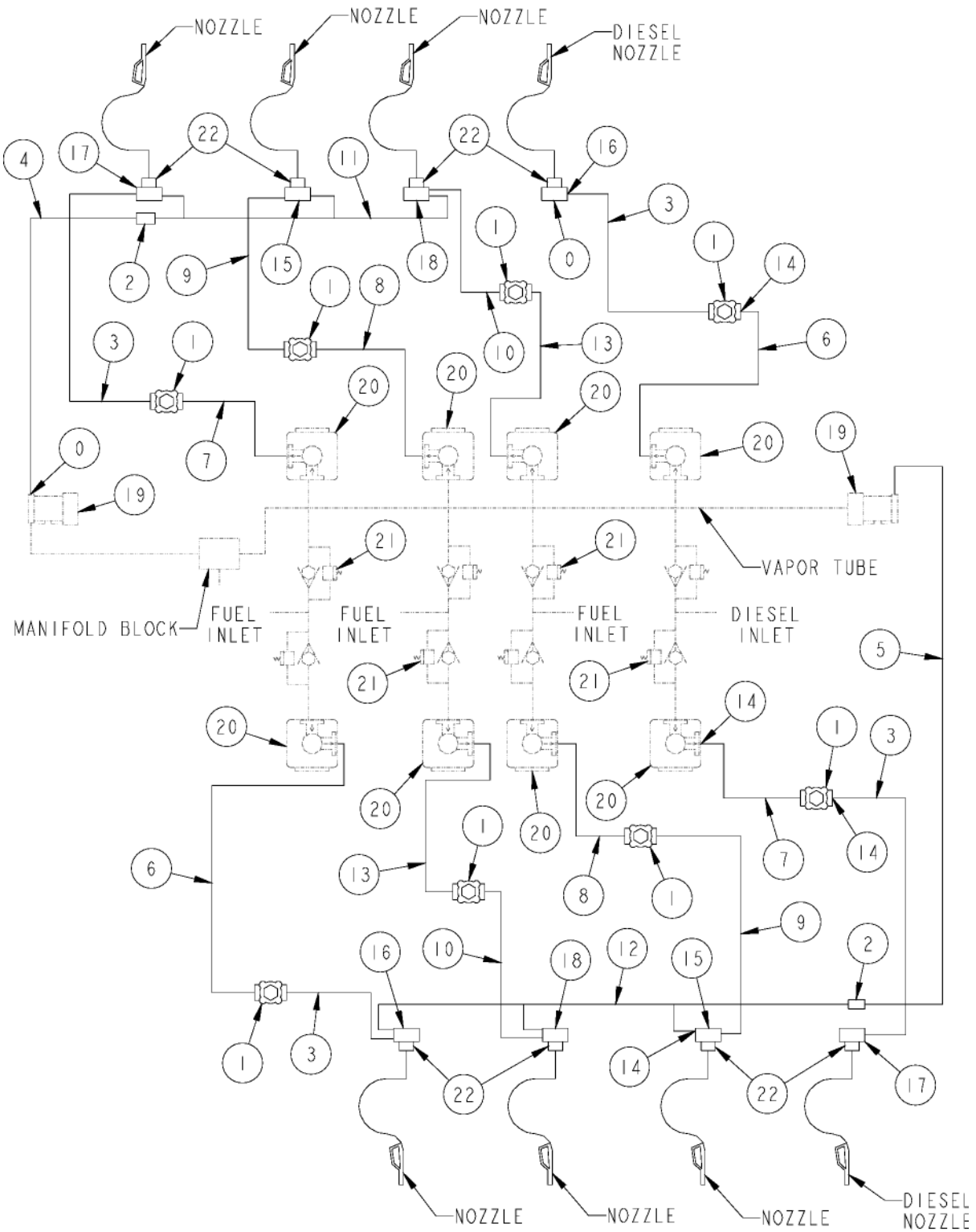
## DISCHARGE HYDRAULICS

### MODELS 44202 & 44222 WITH DIESEL

ITEM PART NO. NO.	DESCRIPTION	ITEM PART NO. NO.	DESCRIPTION
1 1411082	2 Stage Valve	12 <u>Valve to Manifold Fuel Tube</u>	
		4070277	Prior to 2/1997
2 <u>Valve to Manifold Fuel Tube</u>		4070326	2/1997 to present
4070201	Prior to 2/1997		
4070229	2/1997 to present	13 4160009	"O" Ring
		14 8100313-3	Outlet Manifold
3 <u>Valve to Manifold Fuel Tube</u>		15 8100313-17	Outlet Manifold
4070187	Prior to 2/1997		
4070232	2/1997 to present	16 <u>For parts call out of Vapor Control</u>	
		<u>Assembly see:</u>	
4 4070236	Vapor Recovery Tube (Side "B")	72845	Franklin Vapor Assist System (Narrow Frame)
5 4070239	Vapor Recovery Tube (Side "A")	72846	Franklin Vapor Assist System (Wide Frame)
		72847	Vapor Balanced System (Narrow Frame)
6 <u>Meter to Valve Fuel Tube</u>		72848	Vapor Balanced System (Wide Frame)
4070183	Prior to 2/1997		
4070262	2/1997 to present	17 <u>For parts call out of Meters, Pulsers &amp; Totalizers see 72853.</u>	
7 <u>Meter to Valve Fuel Tube</u>		18 <u>For parts call out of Filter Adapter Body &amp; Check Valves see 72854.</u>	
4070185	Prior to 2/1997	19 <u>For parts call out of Hose Outlet Adapters see 72855.</u>	
4070264	2/1997 to present		
8 <u>Meter to Valve Fuel Tube</u>			
4070225	Prior to 2/1997		
4070268	2/1997 to present		
9 <u>Meter to Valve Fuel Tube</u>			
4070186	Prior to 2/1997		
4070265			
4070269	2/1997 to present		
10 <u>Meter to Valve Fuel Tube</u>			
4070276	Prior to 2/1997		
4070279	2/1997 to present		
11 <u>Meter to Valve Fuel Tube</u>			
4070208	Prior to 2/1997		
4070278			
4070303	2/1997 to present		

# DISCHARGE HYDRAULICS

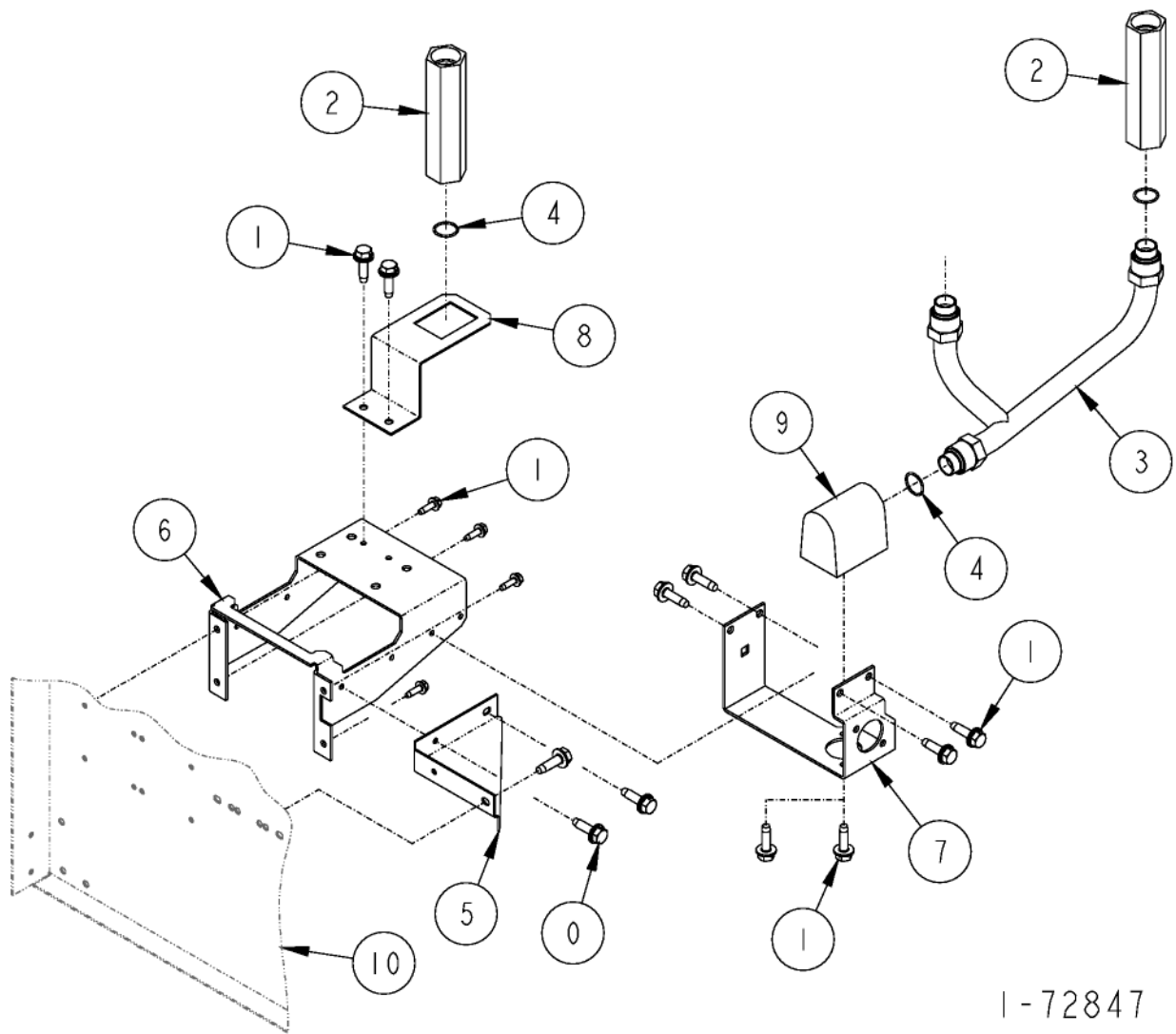
MODELS 44402 & 44442 WITH DIESEL



**DISCHARGE HYDRAULICS**  
**MODELS 44402 & 44442 WITH DIESEL**

ITEM PART			ITEM PART		
NO.	NO.	DESCRIPTION	NO.	NO.	DESCRIPTION
1	1411082	2 Stage Valve	12	4070293	Manifold to Coupling Vapor Tube (Side "A")
2	4070206	Coupling Tube			
3	Valve to Manifold Fuel Tube		13	Meter to Valve Fuel Tube	
	4070187	Prior to 2/1997		4070208	Prior to 2/1997
	4070232	2/1997 to present		4070278	
				4070303	2/1997 to present
4	4070236	Vapor Recovery Tube (Side "B")	14	4160009	"O" Ring
5	4070239	Vapor Recovery Tube (Side "A")	15	8100313-2	Outlet Manifold
			16	8100313-3	Outlet Manifold
			17	8100313-14	Outlet Manifold
6	Meter to Valve Fuel Tube		18	8100313-15	Outlet Manifold
	4070183	Prior to 2/1997			
	4070262	2/1997 to present	19	For parts call out of Vapor Control Assembly see:	
7	Meter to Valve Fuel Tube		72845	Franklin Vapor Assist System (Narrow Frame)	
	4070185	Prior to 2/1997	72846	Franklin Vapor Assist System (Wide Frame)	
	4070264	2/1997 to present	72847	Vapor Balanced System (Narrow Frame)	
8	Meter to Valve Fuel Tube		72848	Vapor Balanced System (Wide Frame)	
	4070186	Prior to 2/1997			
	4070265				
	4070269	2/1997 to present	20	For parts call out of Meters, Pulsers & Totalizers see 72853.	
9	Meter to Valve Fuel Tube		21	For parts call out of Filter Adapter Body & Check Valves see 72854.	
	4070188	Prior to 2/1997	22	For parts call out of Hose Outlet Adapters see 72855.	
	4070272	2/1997 to present			
10	Valve to Manifold Fuel Tube				
	4070209	Prior to 2/1997			
	4070285	2/1997 to present			
11	4070292	Manifold to Coupling Vapor Tube (Side "B")			

VAPOR CONTROL ASSEMBLY  
 VAPOR BALANCED SYSTEM  
 (NARROW FRAME)



1-72847

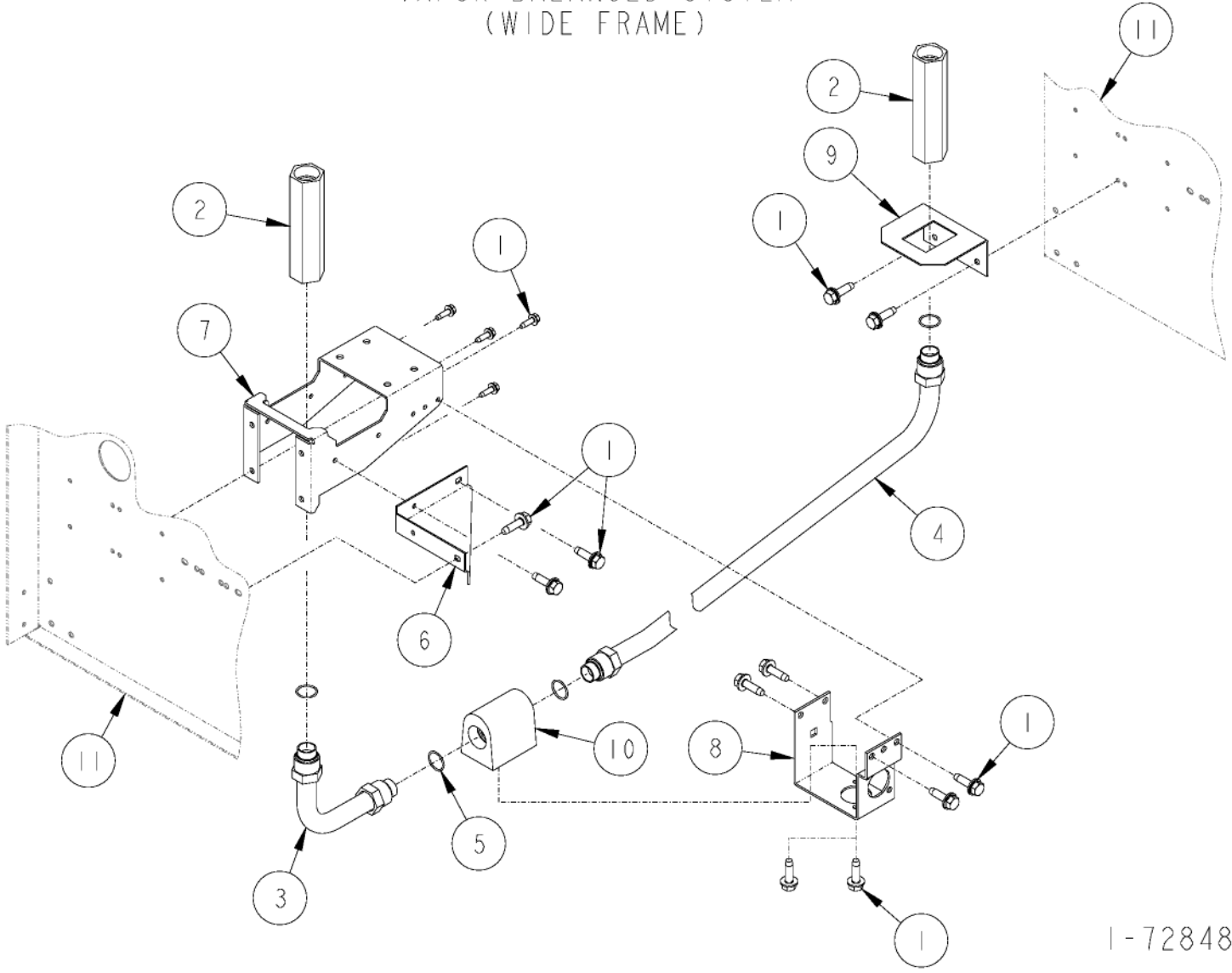
## VAPOR CONTROL ASSEMBLY

### VAPOR BALANCED SYSTEM (NARROW FRAME)

ITEM NO.	PART NO.	DESCRIPTION
1	4005047	Flange Hex Head Self Tapping Screw
2	4070205	Coupling
3	<u>Vapor Tube</u>	
	4070243	Double Sided Dispenser
	4070245	Single Sided Dispenser
4	4160009	"O" Ring
5	8200405	Pump Mounting Bracket Support
6	8200434	Pump Mounting Bracket
7	8200435	Manifold Block Support
8	8200436	Vapor Tube Support
9	8300424	Manifold Block
10	For parts call out of Lower Frame Assembly see 70004	



VAPOR CONTROL ASSEMBLY  
VAPOR BALANCED SYSTEM  
(WIDE FRAME)

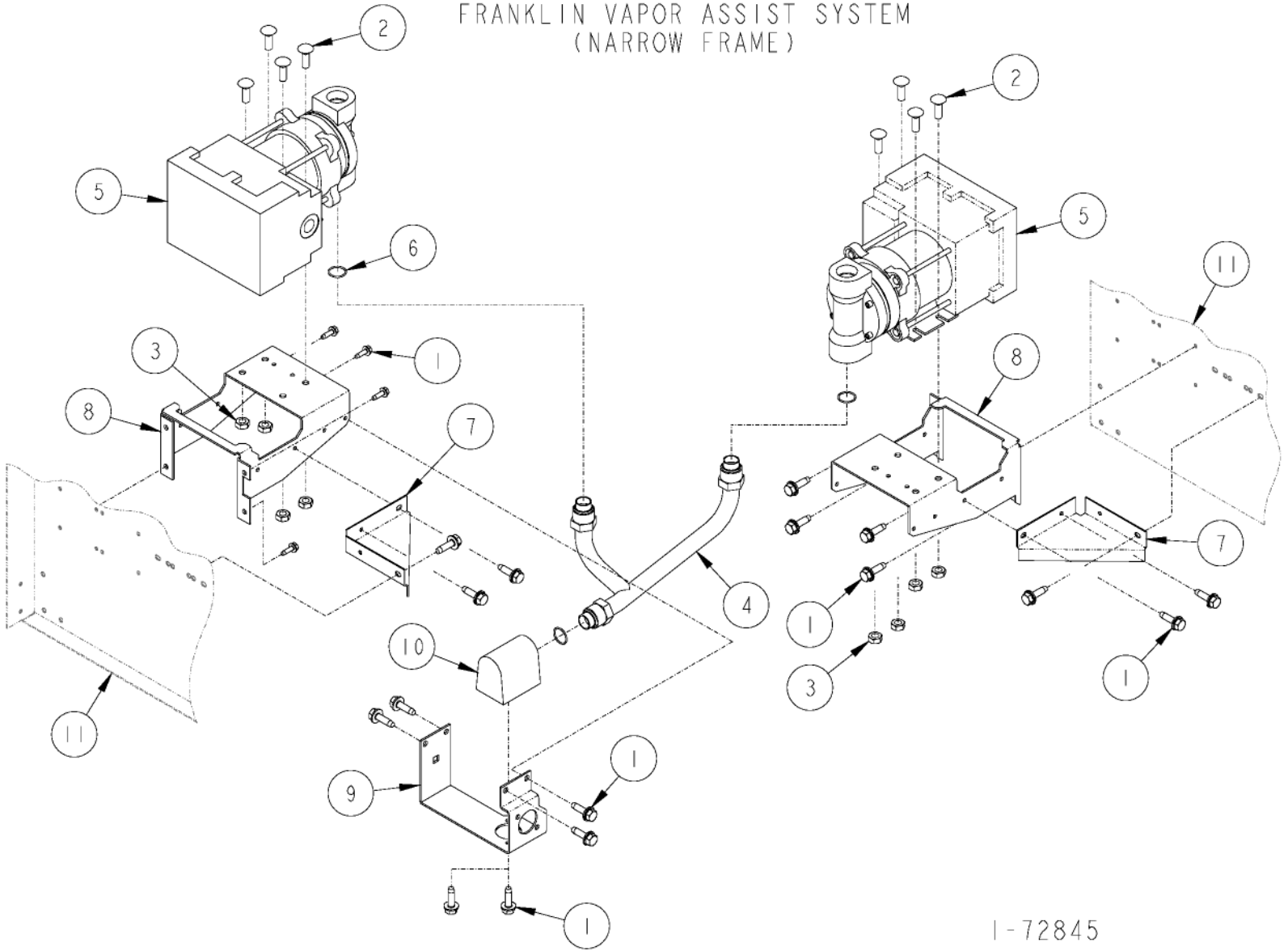


1-72848

**VAPOR CONTROL ASSEMBLY**  
**VAPOR BALANCED SYSTEM**  
**(WIDE FRAME)**

ITEM PART		DESCRIPTION
NO.	NO.	
1	4005047	Flange Hex Head Self Tapping Screw
2	4070205	Coupling
3	4070237	Vapor Tube
4	4070238	Vapor Tube (Double Sided Dispenser
5	4160009	"O" Ring
6	8200405	Pump Mounting Bracket Support
7	8200428	Pump Mounting Bracket
8	8200431	Manifold Block Support
9	8200433	Vapor Tube Support
10	<u>Manifold Block</u>	
	8300422	Double Sided Dispenser
	8300424	Single Sided Dispenser
11	For parts call out of Lower Frame Assembly see 72824.	

VAPOR CONTROL ASSEMBLY  
FRANKLIN VAPOR ASSIST SYSTEM  
(NARROW FRAME)



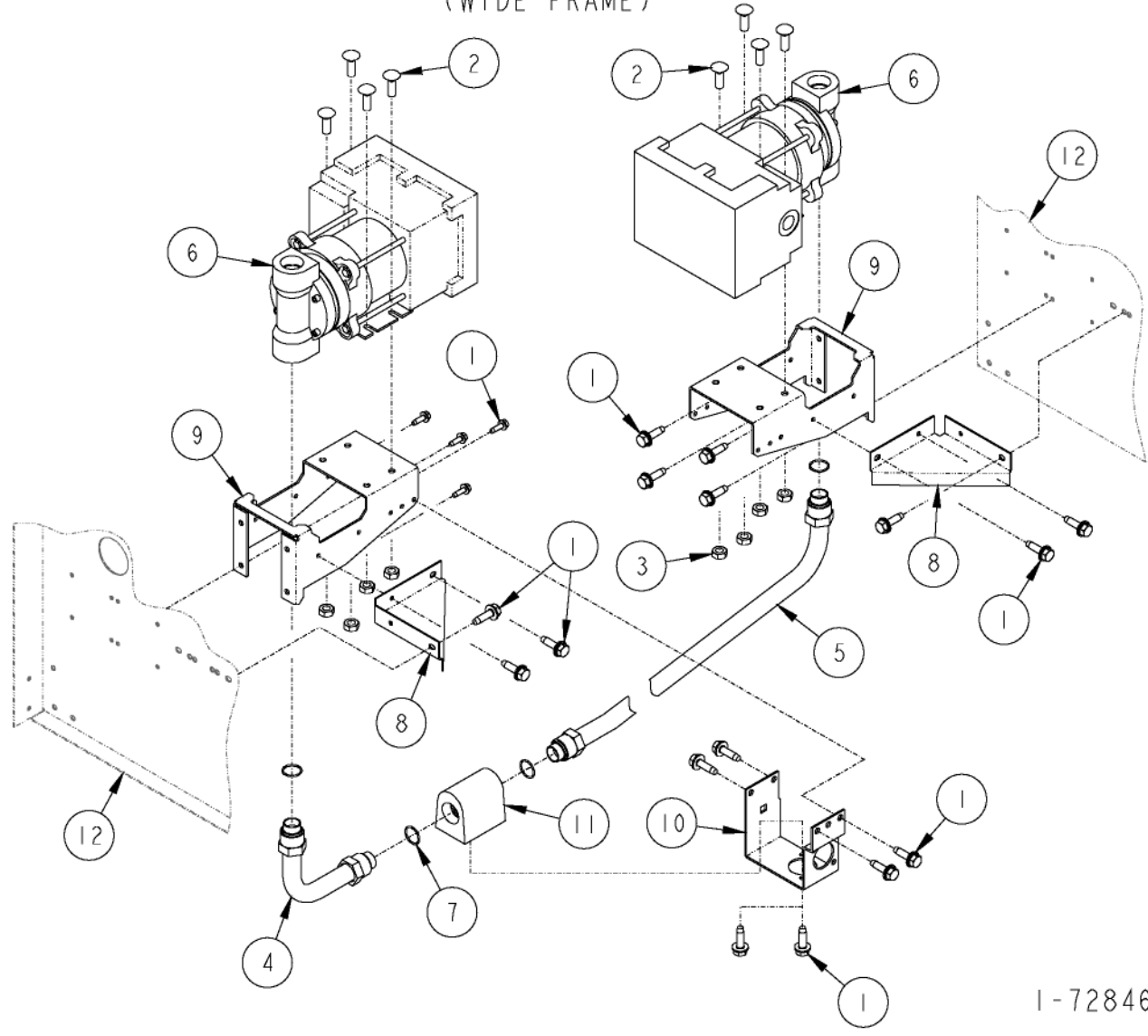
1-72845

## VAPOR CONTROL ASSEMBLY

### FRANKLIN VAPOR ASSIST SYSTEM (NARROW FRAME)

ITEM NO.	PART NO.	DESCRIPTION
1	4005047	Flange Hex Head Self Tapping Screw
2	4005056	1/4-20 x 3/4" Long Carriage Bolt
3	4026018	1/4-20 Lock Nut
4	<u>Vapor Tube</u>	
	4070245	Single Sided Dispenser
	4070243	Double Sided Dispenser
5	<u>Franklin</u>	
	4090075	110 Volt
	4090097	220 Volt
6	4160009	"O" Ring
7	8200405	Pump Mounting Bracket Support
8	8200434	Pump Mounting Bracket
9	8200435	Manifold Block Support
10	8300424	Manifold Block
11	For parts call out of Lower Frame Assembly see 70004	

# VAPOR CONTROL ASSEMBLY FRANKLIN VAPOR ASSIST SYSTEM (WIDE FRAME)



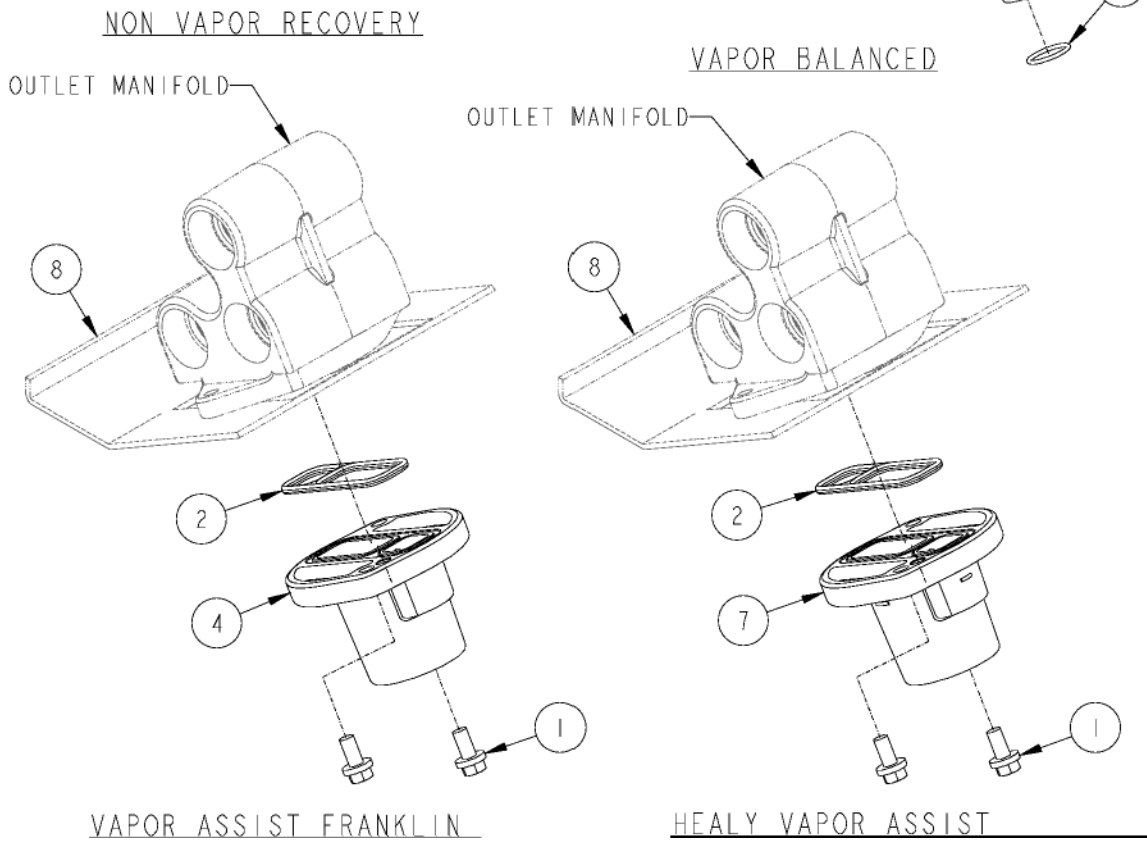
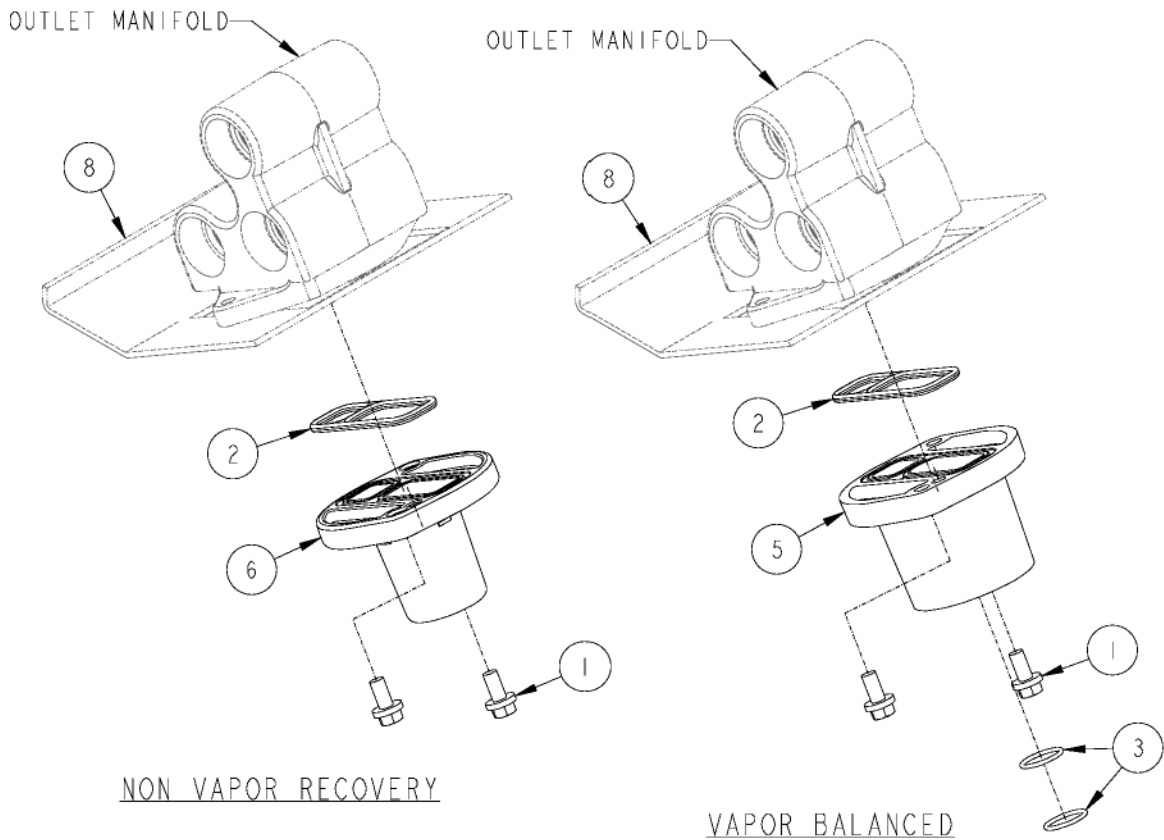
1-72846

**VAPOR CONTROL ASSEMBLY**  
**FRANKLIN VAPOR ASSIST SYSTEM**  
**(WIDE FRAME)**

ITEM NO.	PART NO.	DESCRIPTION
1	4005047	Flange Hex Head Self Tapping Screw
2	4005056	1/4-20 x 3/4" Long Carriage Bolt
3	4026018	1/4-20 Lock Nut
4	4070237	Vapor Tube
5	4070238	Vapor Tube (Double Sided Dispenser Only)
6	<u>Franklin</u>	
	4090075	110 Volt
	4090097	220 Volt
7	4160009	"O" Ring
8	8200405	Pump Mounting Bracket Support
9	8200428	Pump Mounting Bracket
10	8200431	Manifold Block Support
11	<u>Manifold Block</u>	
	8300422	Double Sided Dispenser
	8300424	Single Sided Dispenser
12	For parts call out of Lower Frame Assembly see 72824.	



# HOSE OUTLET ADAPTORS





## HOSE OUTLET ADAPTERS

ITEM PART NO.	NO.	DESCRIPTION
1	4005047	1/4-20 x 1/2" Long Hex Head Flange Self-Tapping
2	4160010	Gasket
3	4160012	"O" Ring
4	8100314	Hose Outlet Adapter "Franklin Vapor Assist"
5	8100357	Hose Outlet Adapter "Vapor Balance"
6	8100329	Hose Outlet Adapter "Non Vapor Recovery"
7	8100330	Hose Outlet Adapter "Healy Vapor Assist"
8	For parts call out of Canopy Assembly see 72843.	

