

3000101

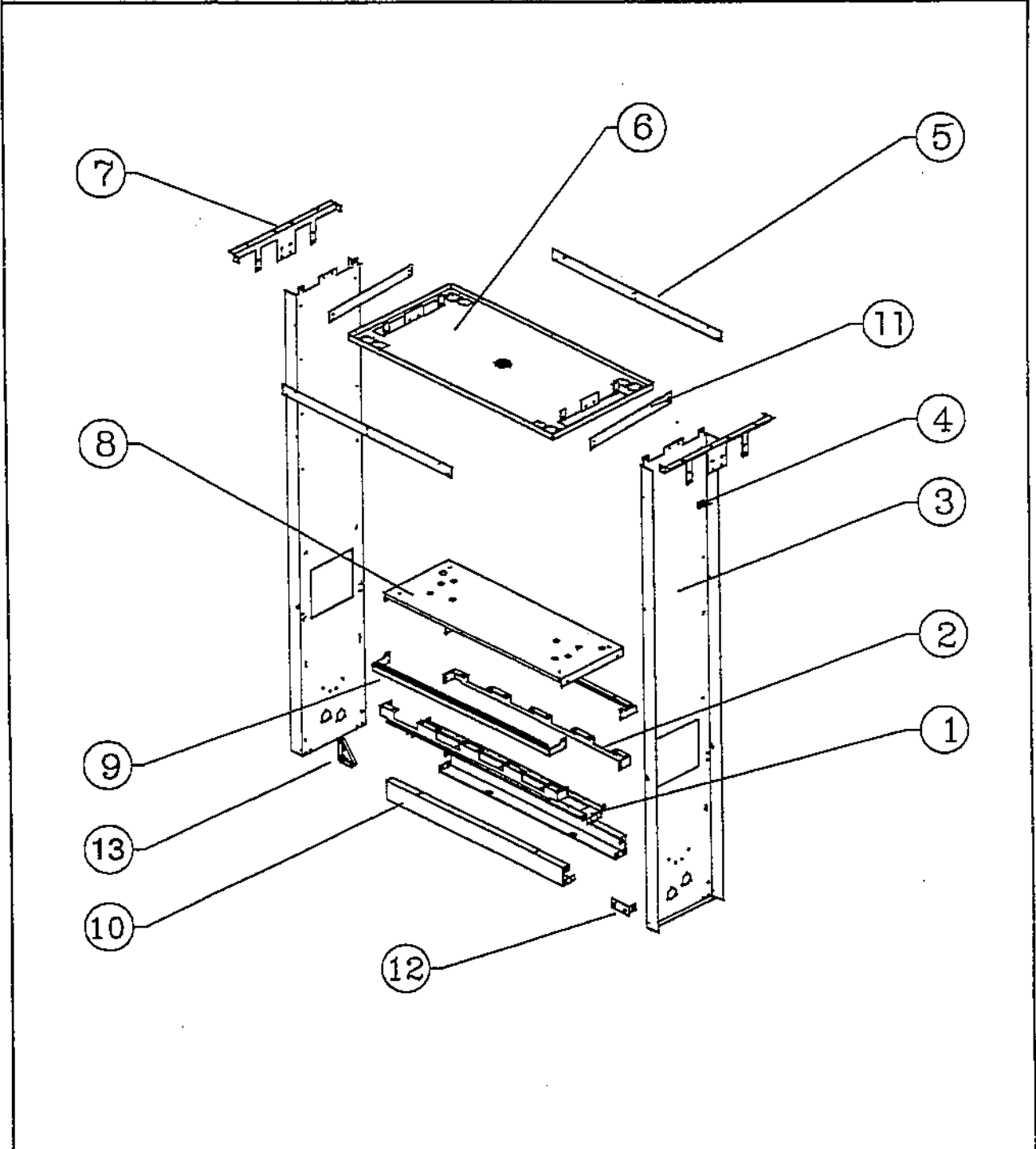
Rev A/27-Jan-94

8300359	VAPOR MANIFOLD, 2PD, PMEX	167
8600022	SWITCH MECHANISM W/HALL EFFECT SWITCH	168
8600031	LIFT HANDLE, TALL, FOR USE WITH BOOTED VAPOR NOZZLES	169
8600032	LIFT HANDLE, SHORT, FOR USE WITH STANDARD NOZZLES	170
8800450	PULSER TOTALIZER ASSEMBLY, 4000 MPD'S	171
8800583	PULSER TOTALIZER ASSEMBLY, 4000 TRUCKSTOP	172
TRUCK STOP HYDRAULIC PART DRAWINGS		173
8910499	4611 AND 4722 SATELLITE HOSE INLET "B" (SIB) HYDRAULICS	173
8910500	4722 SATELLITE HOSE INLET "A" (SIA) HYDRAULICS	174
8910501	4720 AND 4722 INLET "B" MASTER HOSE HYDRAULICS	175
8910502	4610, 4620, 4720, AND 4722 INLET "A" MASTER HOSE HYDRAULICS	176
8910513	4801, 4802, AND 4902 SATELLITE HOSE HYDRAULICS	177
DISPENSER FRAME PART DRAWINGS		179
8200231	4100 / 4200 FRAME ASSEMBLY	179
8900563	4100 / 4200 CABINET ASSEMBLY	181
8910417	4100 / 4200 COMPUTER HEAD	183
8200197	4300 / 4400 FRAME ASSEMBLY	185
8900423	4300 / 4400 CABINET ASSEMBLY	187
8910408	4300 / 4400 COMPUTER HEAD	189
8200254	4000 TRUCK STOP FRAME ASSEMBLY	191
8900632	4000 TRUCK STOP CABINET ASSEMBLY	193
4000 DISPENSER PARTS LIST		195
BY DESCRIPTION		195
BY PART NUMBER		205
REFERENCE MATERIAL		215
4000 CABLE & ELECTRONIC REFERENCE TABLES		215
4100	215
4110	217
4200	219
4220	221
4300	223
4330	225
4301	227
4331	228
4400	229
4440	231
4610	233
4611	235
4620	237
4720	239
4722	241
4801	243
4802	243
4902	243
HYDRAULIC REFERENCE VIEWS		245
8910519	4110 HYDRAULICS	245
8910545	4220 HYDRAULICS	249
8910522	4330 HYDRAULICS	253
8910515	4331 HYDRAULICS	257
8910561	4330 AMOCO VAPOR ASSIST CANOPY HYDRAULICS	261
8910517	4440 HYDRAULICS	262
8910436	4440 HYDRAULIC COMPARTMENT WITH BLEND VALVE	266
8910437	4330 HYDRAULIC COMPARTMENT WITH BLEND VALVE	267

4000 Dispenser
Frame Parts

SECTION 6, SERVICE PARTS

PART NUMBER	DESCRIPTION	REF #
8200231	4100 / 4200 Frame Assembly	



4000 Dispenser
Frame Parts

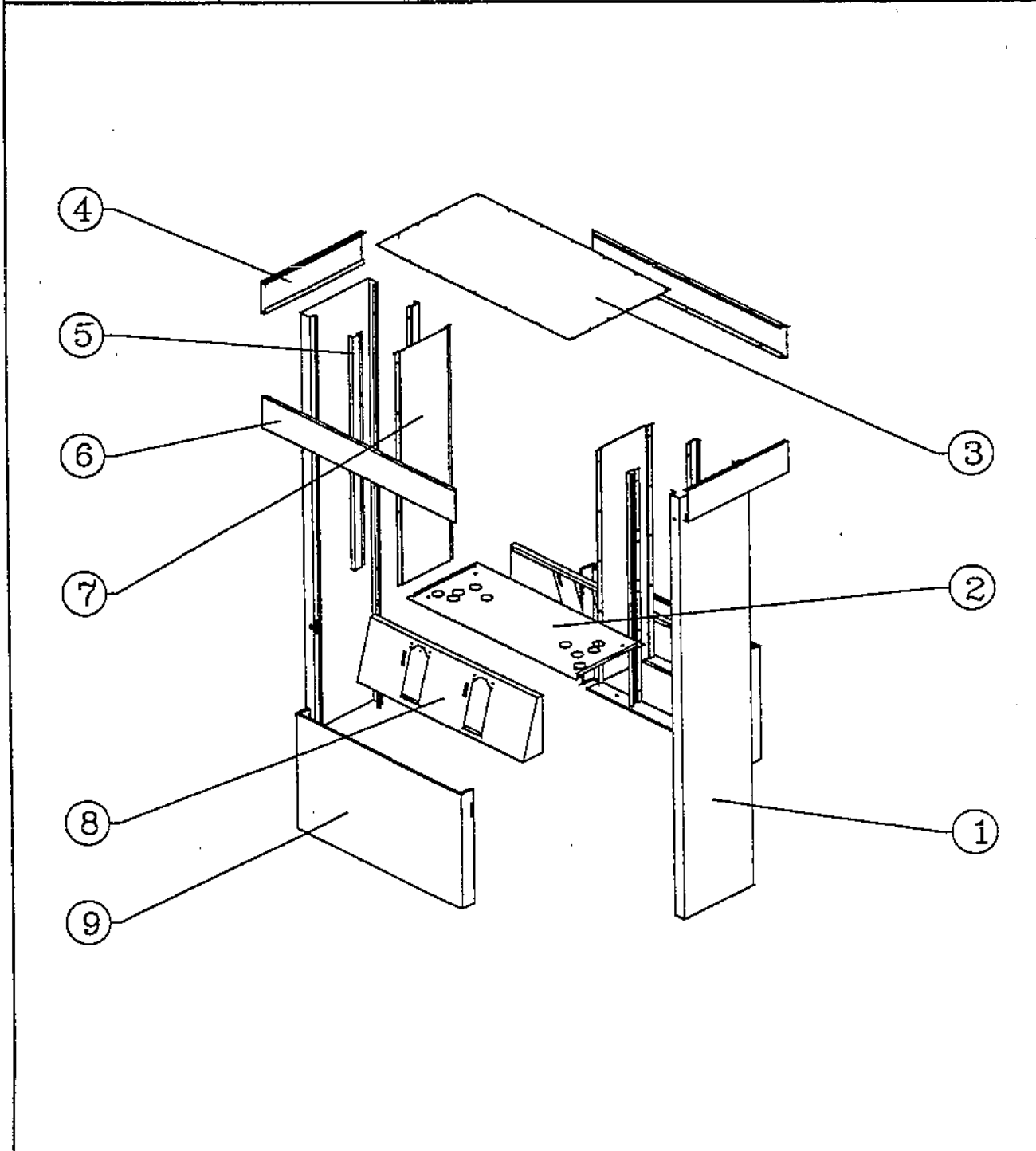
SECTION 6, SERVICE PARTS

PART / DWG #	DESCRIPTION	REF #
8200231	4100 / 4200 Frame Assembly Cont.	
8200173	Filter support bracket	1
8200182	Meter support bracket, 1/2PD	2
8200099	Canopy post	3
8200161	Conduit retainer bracket	4
8900460	Front canopy panel lower support bracket, 1/2PD	5
8200184	Canopy bracket, 1/2PD	6
8200128	End canopy panel support bracket	7
8200183	Vapor barrier bracket, 1/2PD	8
8200175	Nozzle well support bracket, 1/2PD	9
8200174	Base front, 1/2PD	10
8900422	Side canopy panel lower support bracket	11
8200172	Junction box bracket	12
8900240	Mounting bracket, lighted canopy	13

4000 Dispenser
Frame Parts

SECTION 6, SERVICE PARTS

PART NUMBER	DESCRIPTION	REF #
8900563	4100 / 4200 Cabinet Assembly	



4000 Dispenser
Frame Parts

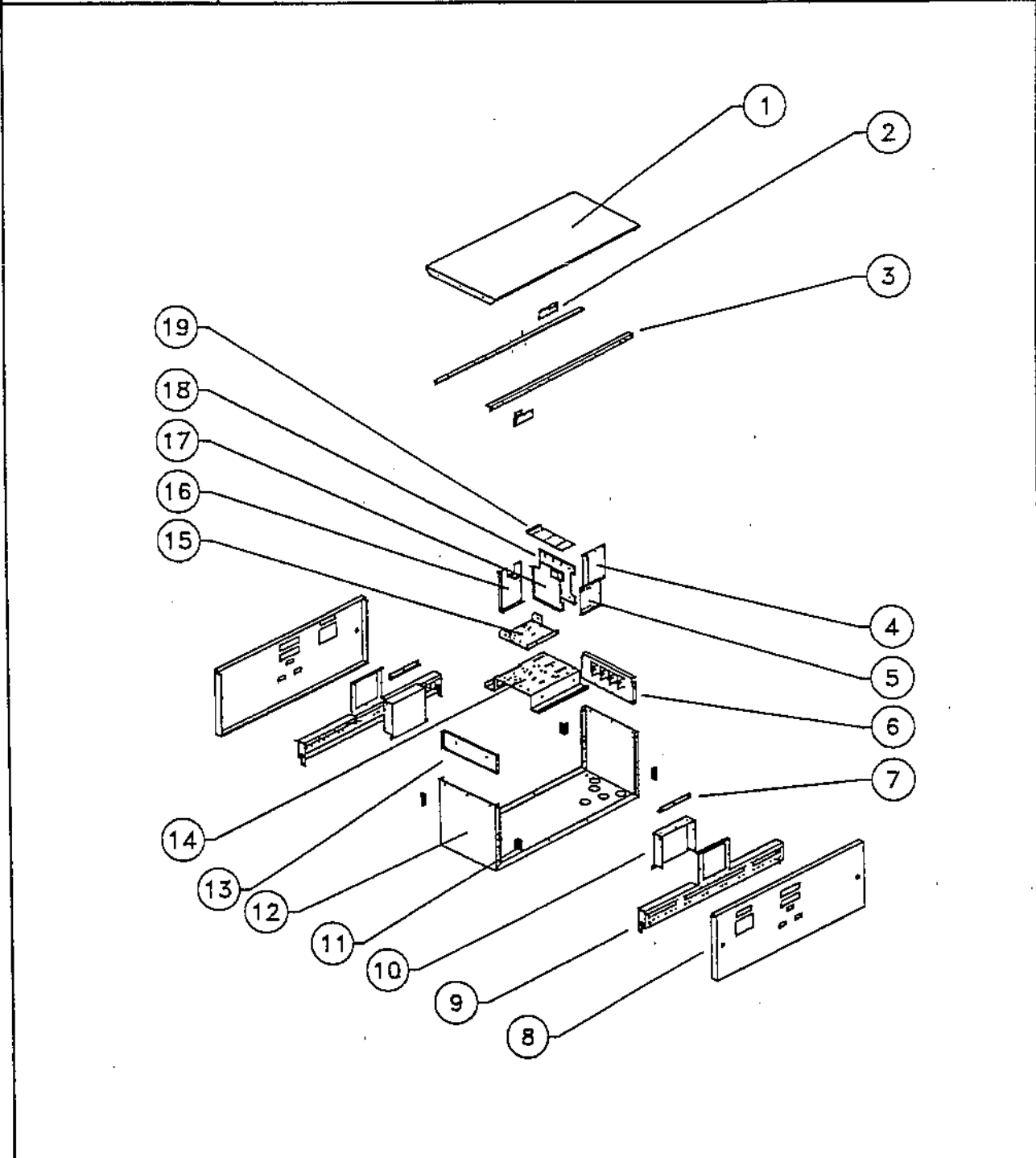
SECTION 6, SERVICE PARTS

PART / DWG #	DESCRIPTION	REF #
8900563	4100 / 4200 Cabinet Assembly Cont.	
8900257	Riser cover, Stainless Steel	1
8900374	Top panel, 1/2PD	2
8900365	Canopy top cover, 1/2PD	3
8900296	Side canopy panel	4
8900315	Riser cover front trim.....	5
8900362	Front canopy panel, 1/2PD	6
8900290	Inside riser cover.....	7
8900366	4100 Nozzle well body	8
8900367	4200 Nozzle well body	8
8900363	Lower Door, Cold Roll Steel, 1/2PD	9
8900386	Lower Door, Stainless Steel, 1/2PD	9

4000 Dispenser
Frame Parts

SECTION 6, SERVICE PARTS

PART NUMBER	DESCRIPTION	REF #
8910417	4100 / 4200 Computer Head	



4000 Dispenser
Frame Parts

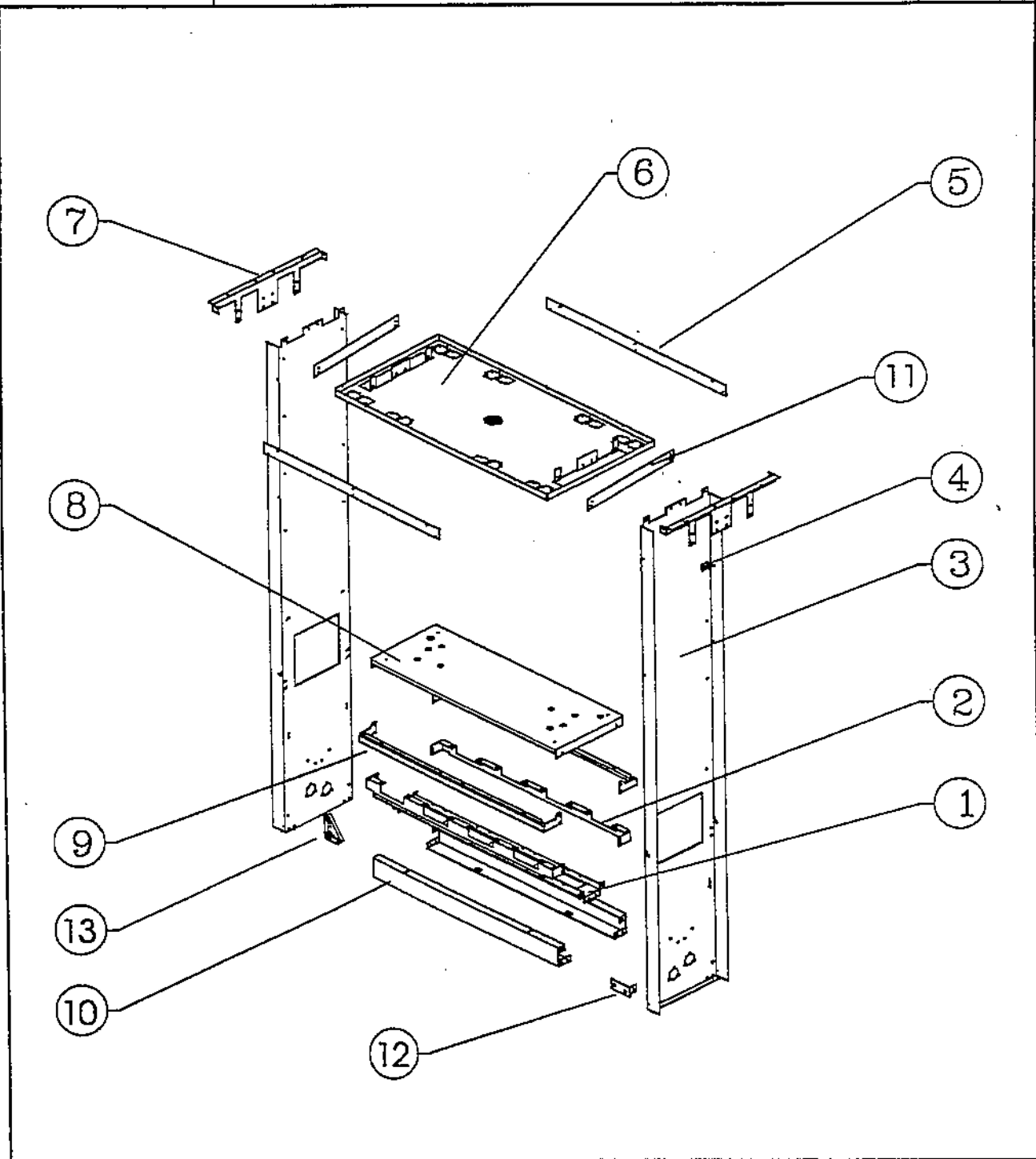
SECTION 6, SERVICE PARTS

PART / DWG #	DESCRIPTION	REF #
8910417	4100 / 4200 Computer Head Cont.	
8800493	Computer top panel, 1/2 PD	1
8800500	Customer display mounting bracket	2
8800490	Computer top rail, 1/2 PD	3
8800525	Option 3 board mounting bracket	4
8800386	Back Plane support bracket	5
8800343	Intrinsic Barrier bracket	6
8800565	Reflector box support	7
8900532	4100 -2 Computer door	8
8900586	4100-2A Computer door	8
8900533	4100-3 Computer door	8
8900598	4100-3A Computer door	8
8900534	4100-4 Computer door	8
8900587	4100-4A Computer door	8
8900535	4100-5 Computer door	8
8900599	4100-5A Computer door	8
8900465	4100-6 Computer door	8
8900588	4100-6A Computer door	8
8900466	4100-7 Computer door	8
8900600	4100-7A Computer door	8
8900536	4200-2 Computer door	8
8900654	4200-2A Computer door	8
8900537	4200-3 Computer door	8
8900601	4200-3A Computer door	8
8900538	4200-4 Computer door	8
8900653	4200-4A Computer door	8
8900539	4200-5 Computer door	8
8900602	4200-5A Computer door	8
8900471	4200-6 Computer door (For "Right Up" C/R)	8
8900652	4200-6A Computer door (For "Right Up" C/R)	8
8900472	4200-7 Computer door (For "Right Up" C/R)	8
8900603	4200-7A Computer door (For "Right Up" C/R)	8
8800558	Light support bracket with D mount	9
8800545	Total sale reflector box	10
8800503	Lock bracket	11
8800519	Bottom section electronic box 1/2 PD	12
8800413	Light tube support bracket	13
8800509	Power supply & heatsink support bracket	14
8800471	Power supply heatsink bracket	15
8800342	Relay board mounting bracket	16
8800385	Card Cage left side panel	17
8800338	Card Cage side	18
8800337	Card Cage top	19

4000 Dispenser
Frame Parts

SECTION 6, SERVICE PARTS

PART NUMBER	DESCRIPTION	REF #
8200197	4300 / 4400 Frame Assembly	



4000 Dispenser
Frame Parts

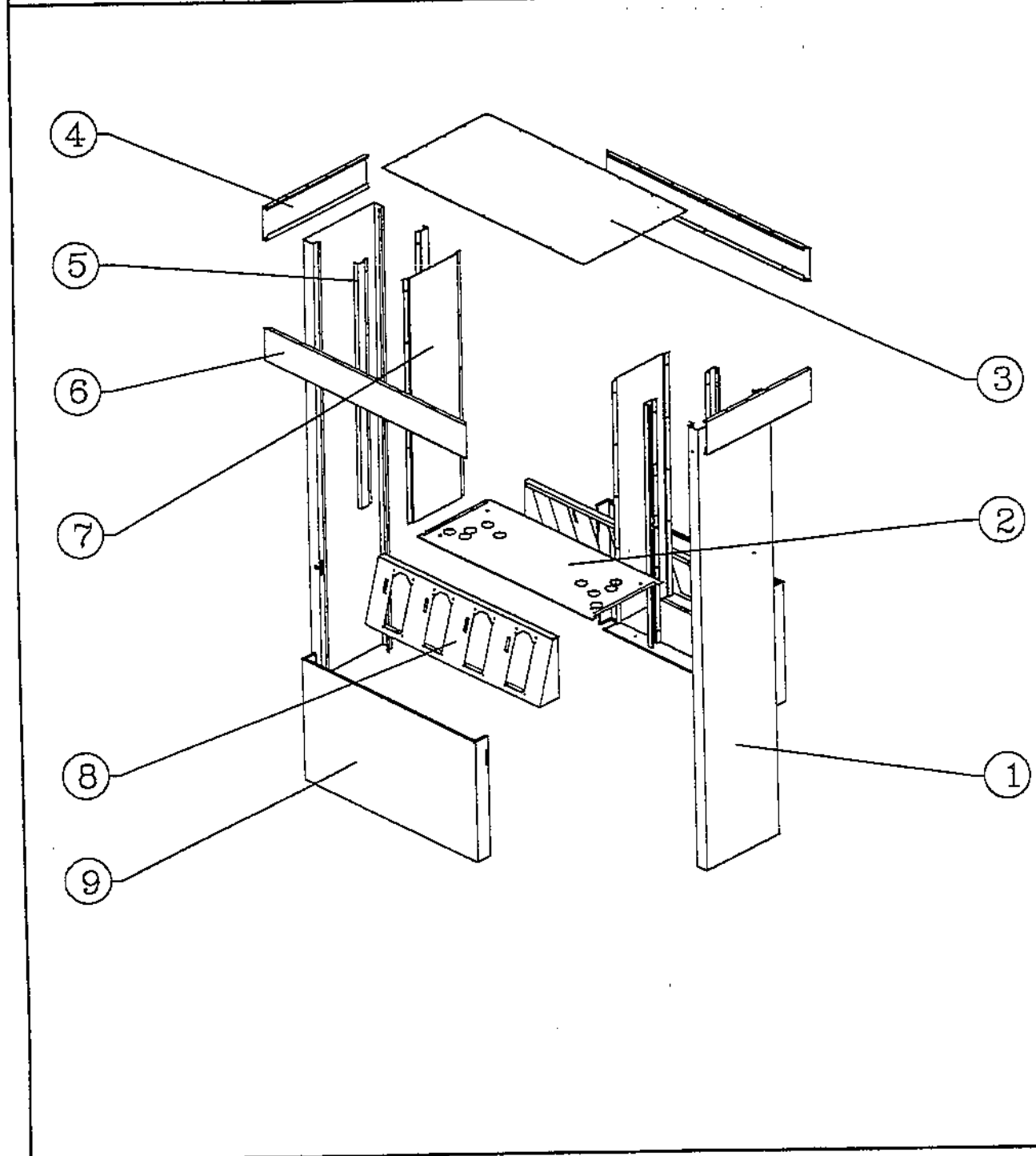
SECTION 6, SERVICE PARTS

PART / DWG #	DESCRIPTION	REF #
8200197	4300 / 4400 Frame Assembly Cont.	
8200103	Filter Casting support bracket, 3/4 PD	1
8200133	Meter support bracket, 3/4 PD	2
8200099	Canopy post	3
8200161	Conduit retainer bracket	4
8900352	Front canopy panel lower support bracket, 3/4 PD	5
8200154	Canopy bracket, 3/4PD	6
8200128	End canopy panel support bracket	7
8200122	Vapor barrier bracket, 3/4 PD	8
8200102	Nozzle well body support bracket, 3/4 PD	9
8200101	Base front, 3/4 PD	10
8900422	Side canopy panel lower support bracket	11
8200172	Junction box bracket	12
8900240	Mounting bracket, lighted canopy	13

4000 Dispenser
Frame Parts

SECTION 6, SERVICE PARTS

PART NUMBER	DESCRIPTION	REF #
8900423	4300 / 4400 Cabinet Assembly	



4000 Dispenser
Frame Parts

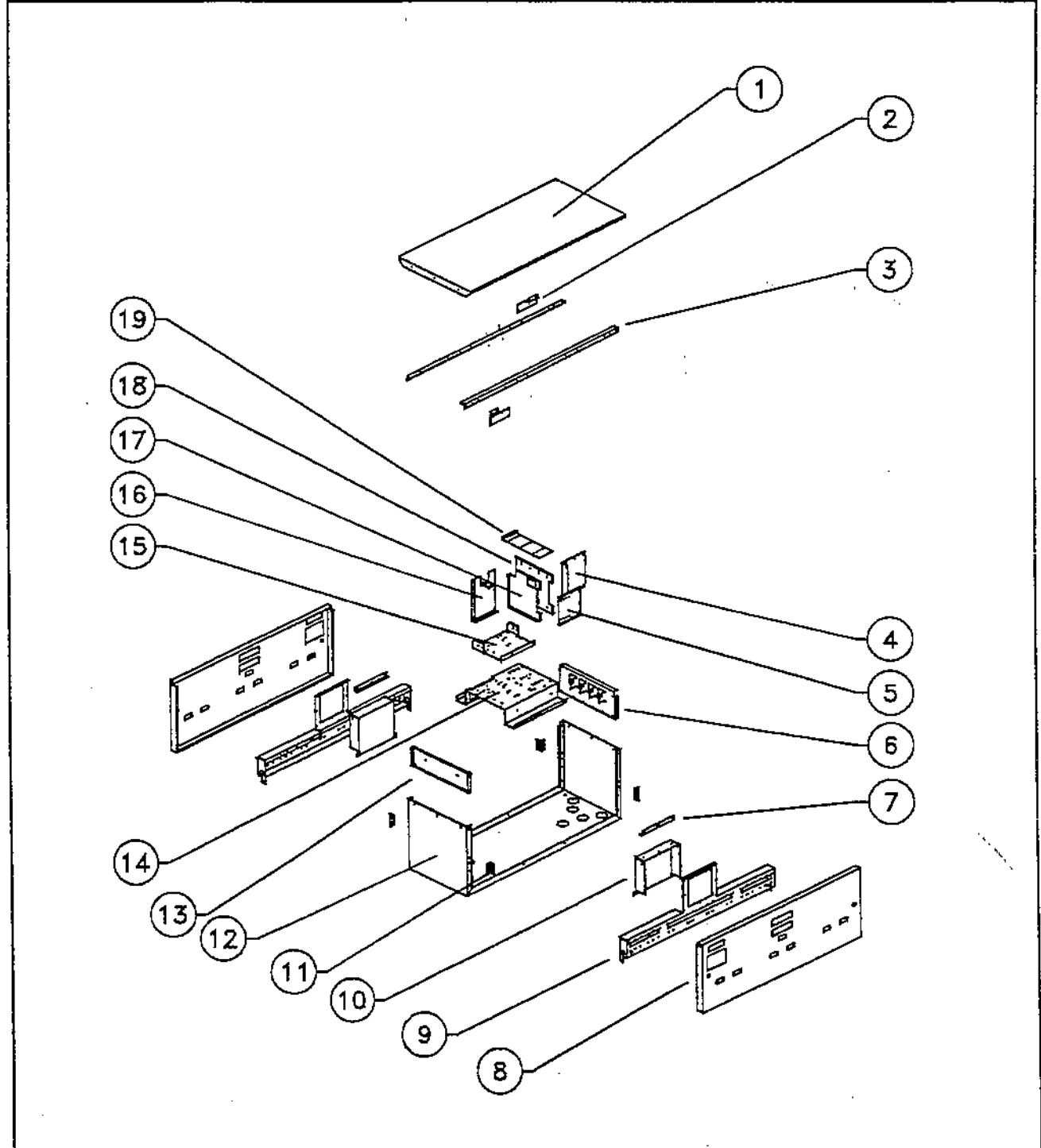
SECTION 6, SERVICE PARTS

PART / DWG #	DESCRIPTION	REF #
8900423	4300 / 4400 Cabinet Assembly Cont.	
89002573	Riser cover, Stainless Steel	1
8900289	Top panel, 3/4 PD	2
8900335	Canopy top cover, 3/4 PD	3
8900296	Side canopy panel	4
8900315	Riser cover front trim.....	5
8900294	Front canopy panel, 3/4 PD	6
8900290	Inside riser cover.....	7
8900408	4300 Nozzle well body	8
8900562	4331 Nozzle well body	8
8900299	4400 Nozzle well body	8
8900293	Lower Door, Cold Roll Steel, 3/4 PD.....	9
8900341	Lower Door, Stainless Steel, 3/4 PD.....	9

4000 Dispenser
Frame Parts

SECTION 6, SERVICE PARTS

PART NUMBER	DESCRIPTION	REF #
8910408	4300 / 4400 Computer Head	



4000 Dispenser
Frame Parts

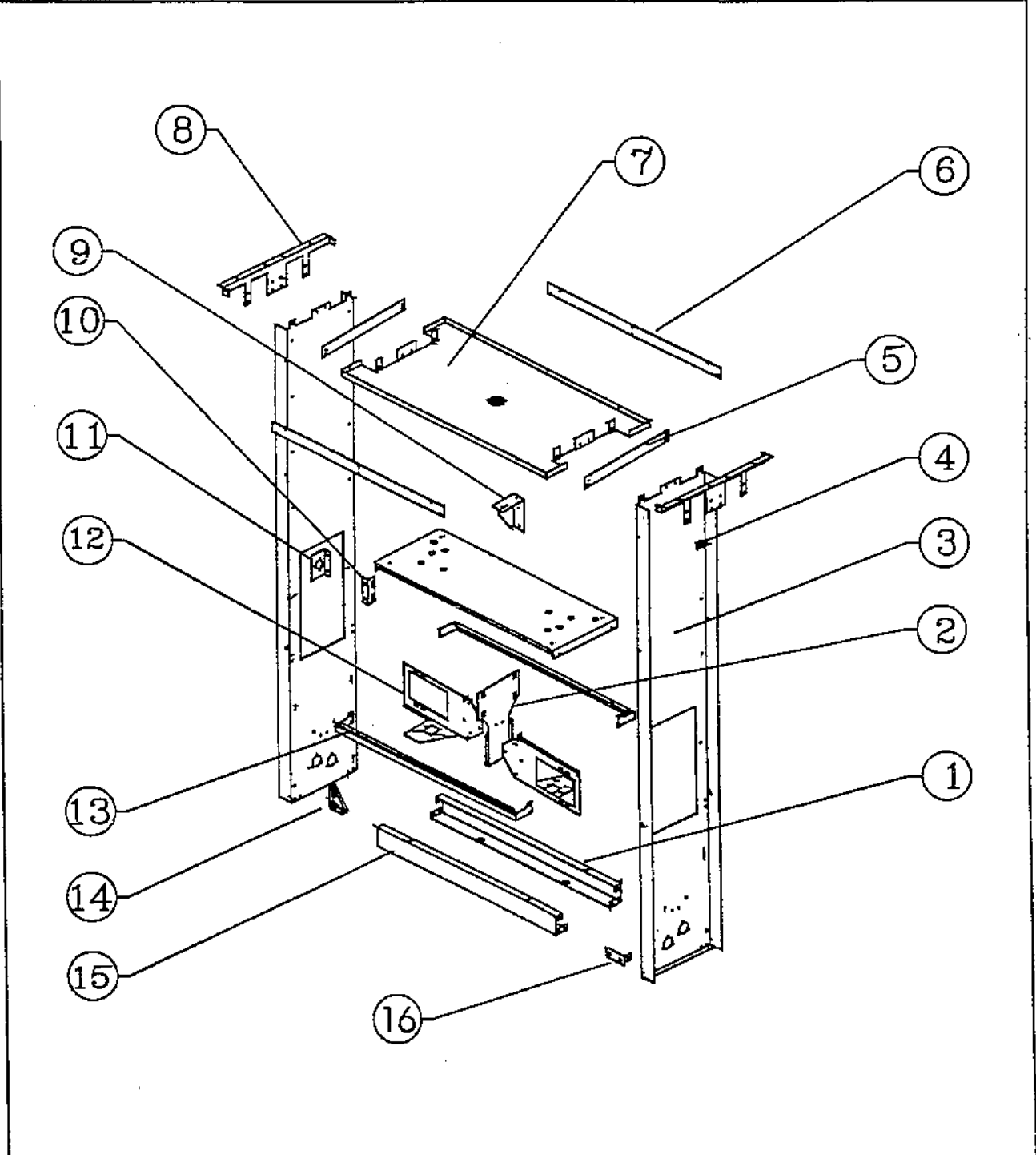
SECTION 6, SERVICE PARTS

PART / DWG #	DESCRIPTION	REF #
8910408	4300 / 4400 Computer Head Cont.	
8800477	Computer top panel, 3/4 PD	1
8800500	Customer display mounting bracket	2
8800488	Computer top rail, 3/4 PD	3
8800525	Option 3 board mounting bracket	4
8800386	Back Plane support bracket	5
8800343	Intrinsic Barrier bracket	6
8800565	Reflector box support	7
8900540	4300 -2 Computer door	8
8900651	4300-2A Computer door	8
8900589	4331-2A Computer door	8
8900541	4300-3 Computer door	8
8900604	4300/4331-3A Computer door	8
8900542	4300-4 Computer door	8
8900650	4300-4A Computer door	8
8900590	4331-4A Computer door	8
8900543	4300-5 Computer door	8
8900696	4300-5A Computer door	8
8900605	4331-5A Computer door	8
8900477	4300-6 Computer door (For "Right Up" C/R)	8
8900649	4300-6A Computer door (For "Right Up" C/R)	8
8900591	4331-6A Computer door (For "Right Up" C/R)	8
8900753	4300-6D Computer door (For "Right Up" C/R)	8
8900719	4331-6D Computer door (For "Right Up" C/R)	8
8900478	4300-7 Computer door (For "Right Up" C/R)	8
8900697	4300-7A Computer door (For "Right Up" C/R)	8
8900606	4331-7A Computer door (For "Right Up" C/R)	8
8900754	4300-7D Computer door (For "Right Up" C/R)	8
8900720	4331-7D Computer door (For "Right Up" C/R)	8
8900544	4400-2 Computer door	8
8900648	4400-2A Computer door	8
8900545	4400-3 Computer door	8
8900607	4400-3A Computer door	8
8900546	4400-4 Computer door	8
8900647	4400-4A Computer door	8
8900547	4400-5 Computer door	8
8900694	4400-5A Computer door	8
8900483	4400-6 Computer door (For "Right Up" C/R)	8
8900646	4400-6A Computer door (For "Right Up" C/R)	8
8900484	4400-7 Computer door (For "Right Up" C/R)	8
8900695	4400-7A Computer door (For "Right Up" C/R)	8
8800532	Light support bracket with D mount	9
8800545	Total sale reflector box	10
8800503	Lock bracket	11
8800520	Bottom section electronic box, 3/4 PD	12
8800413	Light tube support bracket	13
8800509	Power supply & heatsink support bracket	14
8800471	Power supply heatsink bracket	15
8800342	Relay board mounting bracket	16
8800385	Card Cage left side panel	17
8800338	Card Cage side	18
8800337	Card Cage top	19

4000 Dispenser
Frame Parts

SECTION 6, SERVICE PARTS

PART NUMBER	DESCRIPTION	REF #
8200254	4000 Truck Stop Frame Assembly	



4000 Dispenser
Frame Parts

SECTION 6, SERVICE PARTS

PART / DWG #	DESCRIPTION	REF #
8200254	4000 Truck Stop Frame Assembly Cont.	
8200174	Base front, 1/2 PD	1
8200201	Meter support bracket, TS	2
8200200	Side Channel, TS	3
8200161	Conduit retainer bracket.....	4
8900422	Side canopy panel support bracket.....	5
8900460	Front canopy panel support bracket, 1/2 PD	6
8200235	Canopy support bracket, TS	7
8200128	End canopy panel support bracket	8
8200230	Retractor Bracket, TS	9
8200233	Outlet Adjustment Bracket, TS	10
8200225	Outlet Bracket, TS.....	11
8200208	Hydraulic Support Bracket, TS.....	12
8200175	Nozzle well support bracket	13
8900240	Mounting bracket, lighted canopy	14
8200174	Base Front, 1/2 PD	15
8200172	Junction box bracket	16
8200183	Vapor barrier bracket, 1/2 PD	17

4000 Dispenser
Frame Parts

SECTION 6, SERVICE PARTS

PART NUMBER	DESCRIPTION	REF #
8900632	4000 Truck Stop Cabinet Assembly	

