

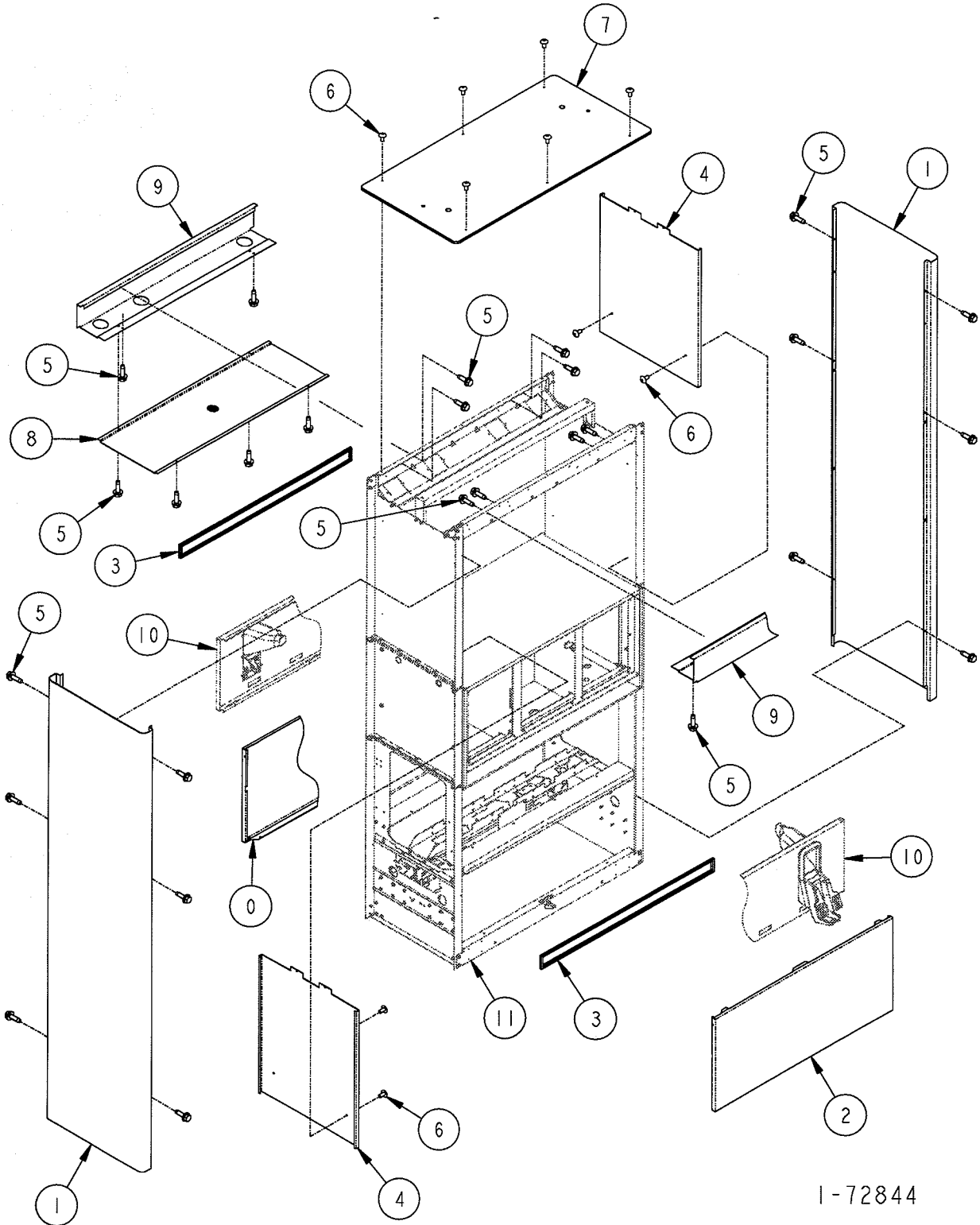
Section Two

Centurion Parts Manual • All Models

Outer Shell

	Page Number
Trim Assembly	2-2, 2-3
Nozzle Well and Nozzle Well Body	
Prior to August 1996	2-4, 2-5
August 1996 & April 1997 to present	2-6, 2-7
Lower Frame Assembly	
Remote Control	2-8, 2-9
Suction	2-10, 2-11
End Panel Assembly	2-12, 2-13
Enclosure Support Assembly	2-14, 2-15
Center Enclosure Assembly	
Wide Frame	2-16, 2-17
Narrow Frame	2-18, 2-19
Canopy Assembly	2-20, 2-21

TRIM ASSEMBLY
(WIDE FRAME SHOWN)



1-72844

EXTERIOR TRIM PANELS

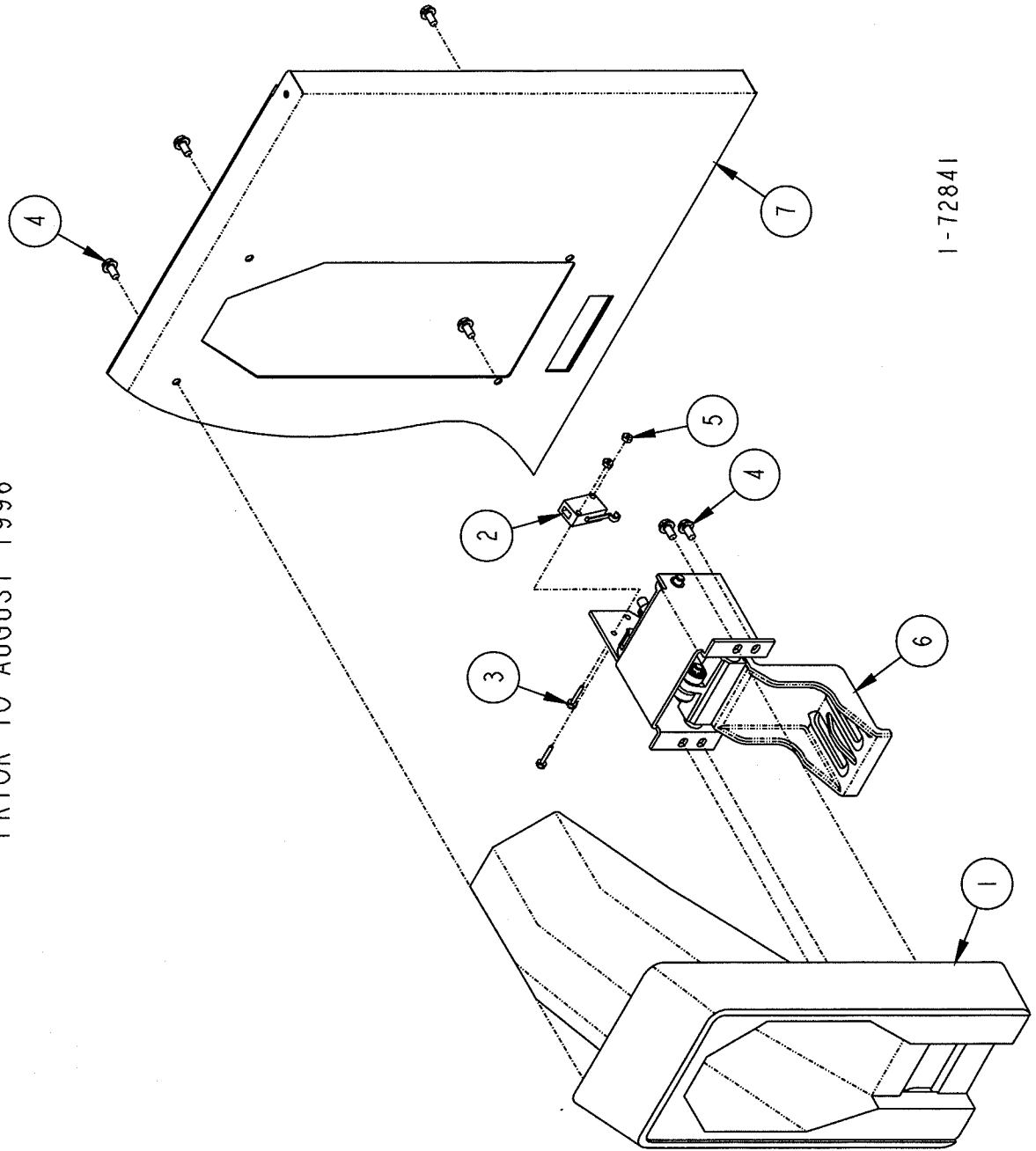
CENTURION WIDE & NARROW FRAME DISPENSERS

ITEM NO.	PART NO.	DESCRIPTION	ITEM NO.	PART NO.	DESCRIPTION
1	<u>Side Panel</u>		9	<u>Canopy Panel (Wide Frame)</u>	
	8900852	Stainless Steel		8900850	Painted (3 Hose)
8900988	Painted	8900874		Painted (1 Hose)	
2	<u>Lower Door (Wide Frame)</u>			8900934	Painted (2 Hose)
	8900854	Painted		8900947	Painted (4 Hose)
	8900951	Stainless Steel		8900953	Stainless Steel (3 Hose)
	<u>Lower Door (Narrow Frame)</u>			8900954	Stainless Steel (2 Hose)
	8900908	Painted		8900955	Stainless Steel (1 Hose)
3	<u>Rail Frame (Wide Frame)</u>			8900962	Painted (0 Hose)
	8801143	Lighted		8901068	Stainless Steel (0 Hose)
	8801103	Non-Lighted		<u>Canopy Panel (Narrow Frame)</u>	
	<u>Rail Frame (Narrow Frame)</u>			8900905	Painted (2 Hose)
	8801238	Lighted		8900906	Painted (1 Hose)
	8801237	Non-Lighted		8901041	Stainless Steel (2 Hose)
4	8900855	Inside Riser Cover		8901042	Stainless Steel (1 Hose)
5	4004062	#10-24 x 3/8" Long		8900963	Painted (0 Hose)
		Flange Hex Head Self-Tapping Screw		8901043	Stainless Steel (0 Hose)
6	4004067	#10-32 x 3/8" Long	10	<u>For parts call out of Nozzle Boot & Nozzle Well Panel see:</u>	
		Machine Screw	72841	Prior to August 1996	
7	<u>Canopy Top Cover</u>		72842	August 1996 & April 1997 to present	
	8900863	Wide Frame	11	<u>For parts call out of:</u>	
	8900912	Narrow Frame	72824	Lower Frame Assembly	
8	<u>Canopy Access Panel</u>		72825	Center Enclosure Assy. (Wide Frame)	
	8900851	Wide Frame	72828	Center Enclosure Assy. (Narrow Frame)	
	8900907	Narrow Frame	72843	Canopy Assembly	

1-72844

NOZZLE BOOT & NOZZLE WELL PANEL

PRIOR TO AUGUST 1996



1-72841

1-72841

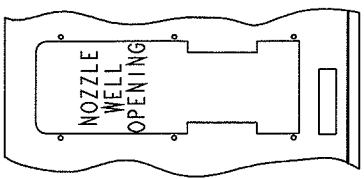
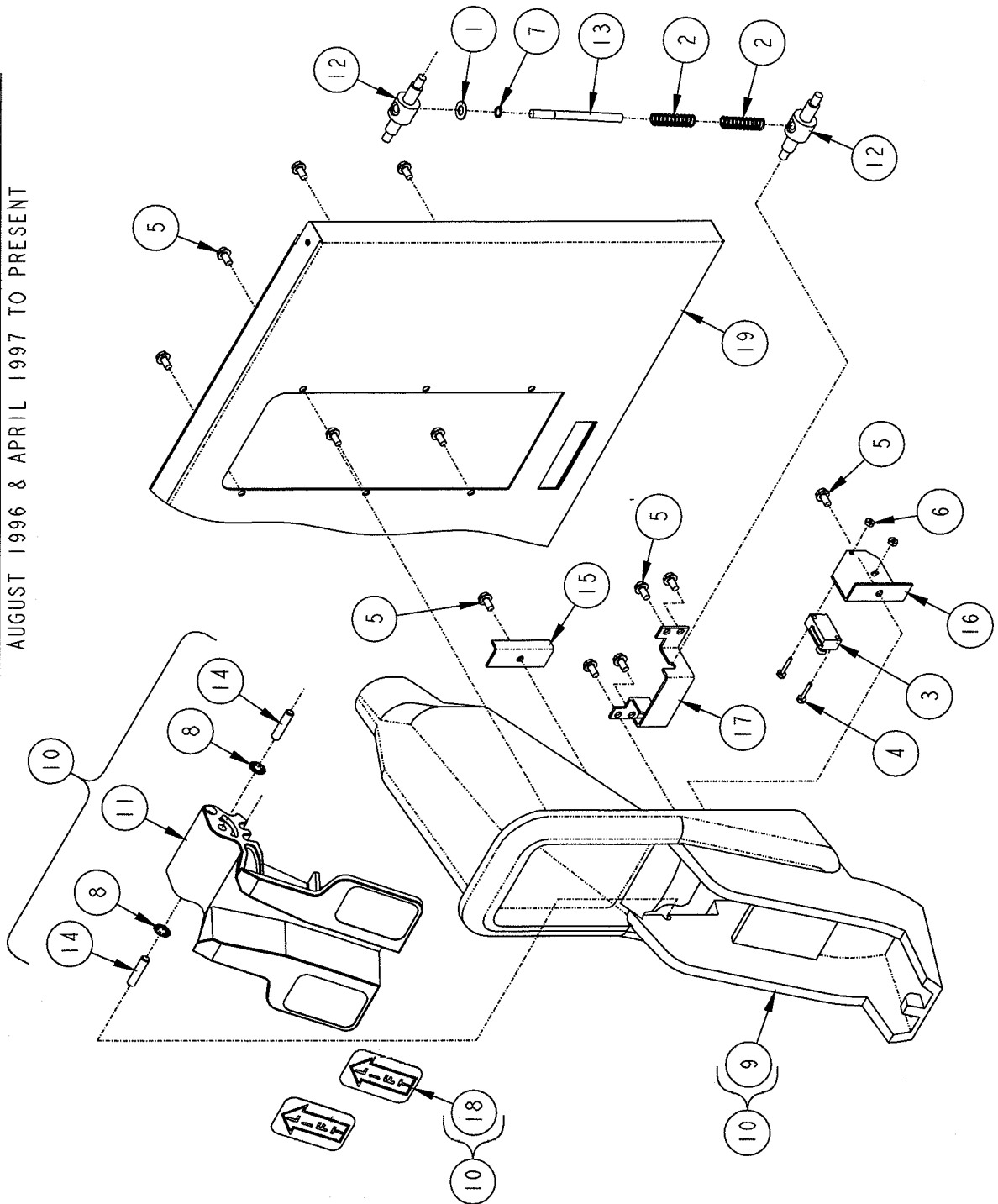
NOZZLE BOOT ASSEMBLY

PRIOR TO AUGUST 1996

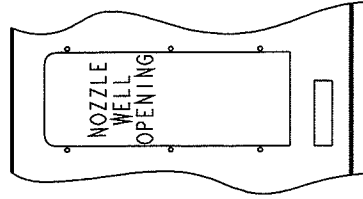
ITEM PART NO. NO.	DESCRIPTION
1 K-115	Nozzle Boot
2 0080069	Switch
3 4002095	#4-40 x 5/8" Long Screw
4 4004077	Hex Head Self Tapping Screw
5 4022015	#4-40 Hex Nut
6 8600023	Switch Mechanism With Pivot Block & Lift Handle
7 <u>Nozzle Well Body Panel</u>	
8900883	3 Hose (Wide Frame)
8900884	1 Hose (Wide Frame)
8900909	2 Hose (Narrow Frame)
8900910	1 Hose (Narrow Frame)
8900933	2 Hose (Wide Frame)
8900944	4 Hose (Wide Frame)

1-72841

NOZZLE BOOT & NOZZLE WELL PANEL
 AUGUST 1996 & APRIL 1997 TO PRESENT



RELEASED
 AUGUST 8, 1996



RELEASED
 APRIL 4, 1997

I-72842

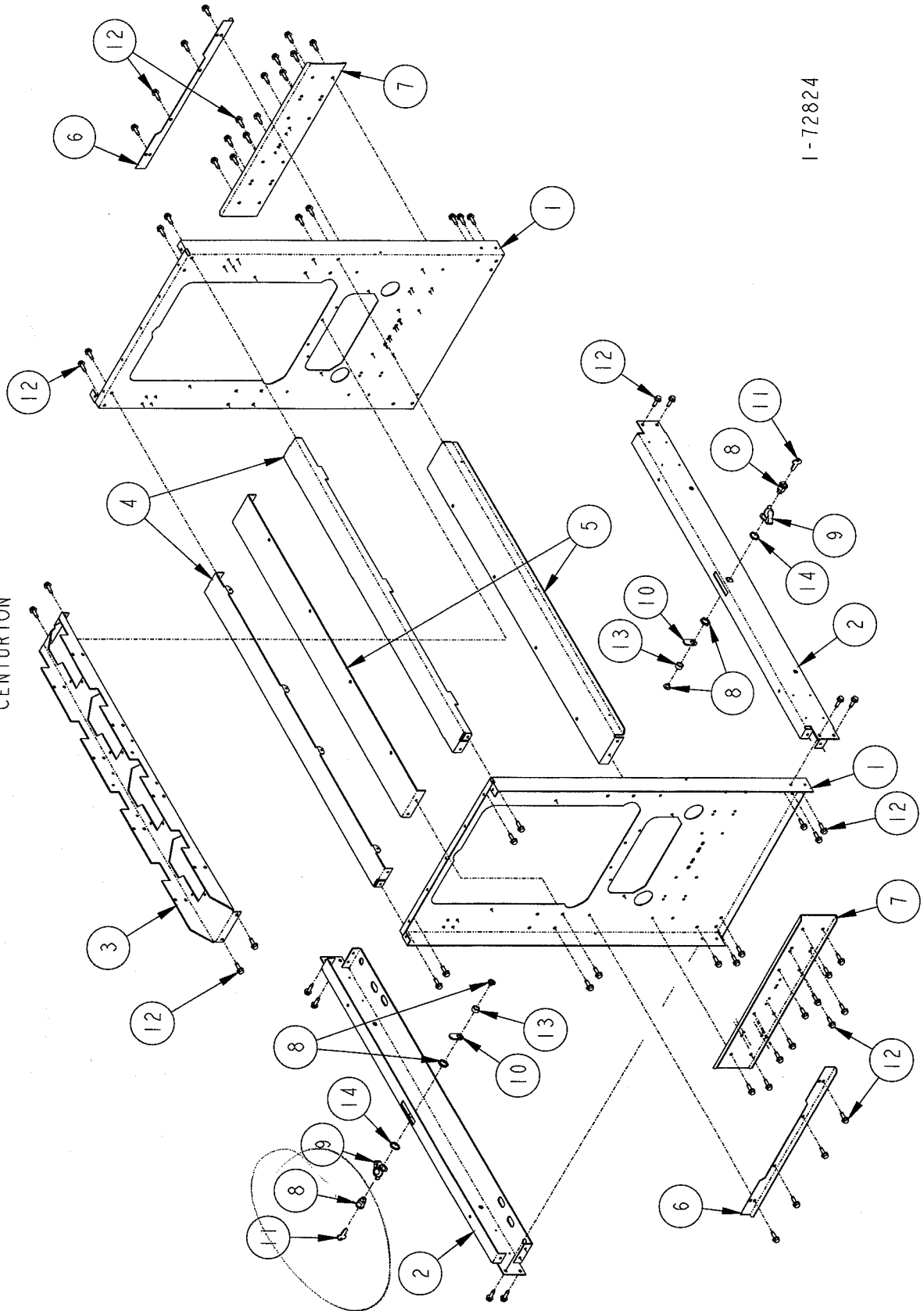
NOZZLE BOOT & NOZZLE WELL PANEL

AUGUST 1996 & APRIL 1997 TO PRESENT

ITEM PART NO. NO.	DESCRIPTION	ITEM PART NO. NO.	DESCRIPTION	ITEM PART NO. NO.	DESCRIPTION
1	E-499 Washer	15	8600059 Hinge Pin Retainer	19	<u>Continued</u>
2	X-661-12 Spring	16	8600060 Switch Bracket		<u>Released April 4, 1997 (Narrow Frame)</u>
3	0080069 Microswitch	17	8600070 Bracket, Lift Handle	8900965	0 Hose
4	4002095 4-40 x 5/8" Long Switch Mounting		Pivot Block (Lift to start only)	8901012	2 Hose
5	4004077 Screw	18	8910885 Decal	8901013	1 Hose
				8901051	2 Hose (2 totalizer windows, Tok 262 footprint)
6	4022015 Flange Hex Head Self-Tapping Screw	19	<u>Nozzle Well Body Panel</u>		
7	4051510 #4-40 Hex Nut		<u>Released August 8, 1996 (Wide Frame)</u>	8901052	1 Hose (1 totalizer window, Tok 262 footprint)
8	4051516 Retaining Ring			8901064	1 Hose (2 totalizer windows, Tok 262 footprint)
9	8100325 Nozzle Well			8901274	1 Hose (1 totalizer window, Suction)
10	<u>Nozzle Well Assembly (Includes item # 8, 9, 10, 13 & 17)</u>				
	8600062 Lift to start				
	8600063 Push to start				
11	<u>Nozzle Hanger Plastic</u>				
	8600050 Type 2 (Standard)			8900996	1 Hose Right Wide Frame
	86000501 Type 1 (For vapor)			8900997	2 Hose Wide Frame
12	8600055 Pivot Block, Lift Handle			8900998	3 Hose Wide Frame
13	8600056 Pivot Shaft, Lift Handle			8900999	4 Hose Wide Frame
14	8600057 Hinge Pin, Lift Handle			8901235	1 Hose Center Wide Frame
				8901000	1 Hose Narrow Frame
				8901002	2 Hose Narrow Frame
				8901277	Narrow Frame (Suction)

For complete Nozzle Well Body Assembly order:
Released April 4, 1997

LOWER FRAME ASSEMBLY
CENTURION



I-72824

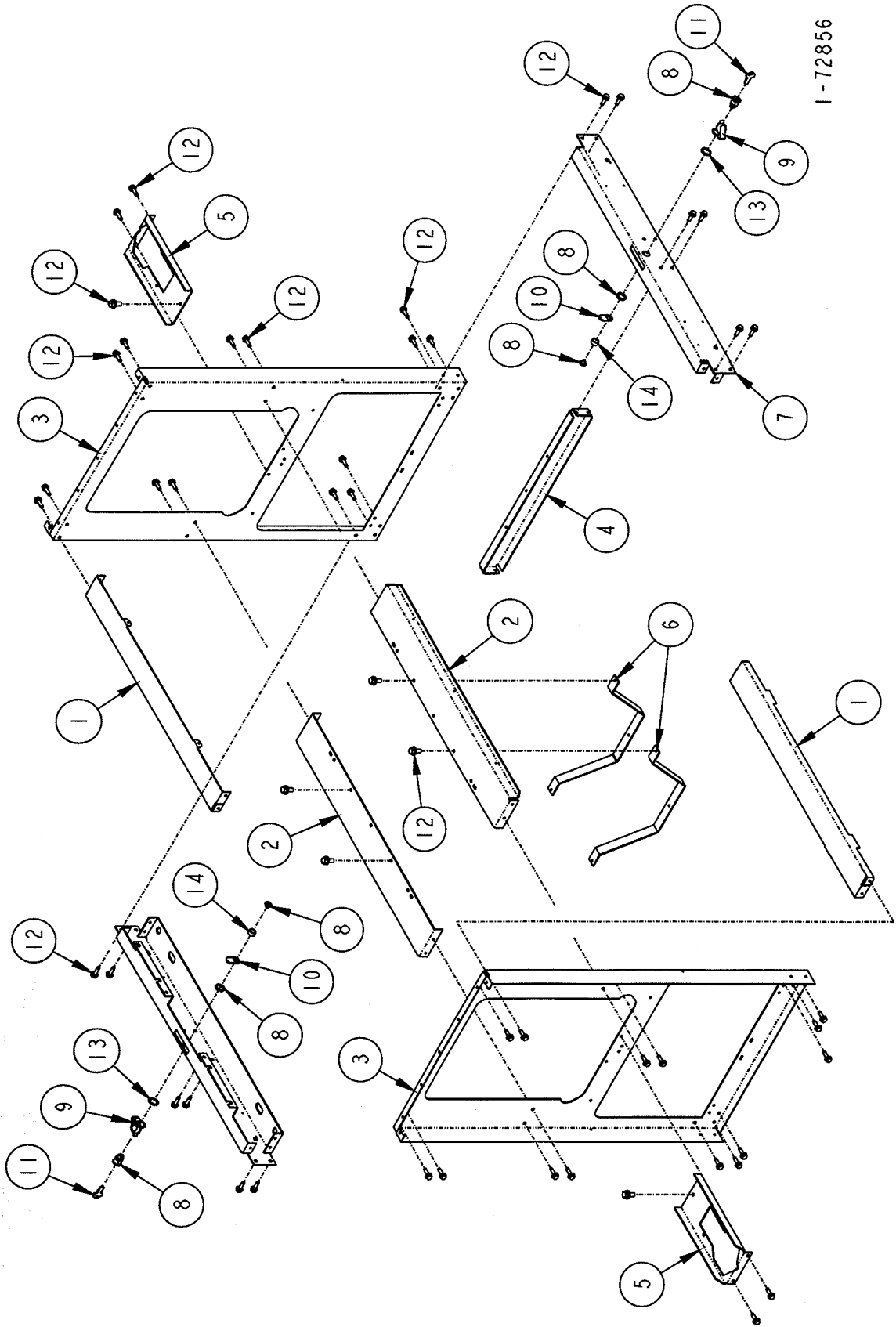
1-72824

LOWER FRAME ASSEMBLY CENTURION

ITEM PART NO. NO.	DESCRIPTION	ITEM PART NO. NO.	DESCRIPTION
1	8200387 Lower Frame Channel	6	8200439 Lower Frame Reinforcement Angle (Franklin Assist only)
2	<u>Base Rail</u> 8200389 Wide Frame 8200413 Narrow Frame	7	8200443 Lower Frame Reinforcement Channel (Franklin Assist only)
3	<u>Vertical Casting Bracket</u> 8200423 Wide Frame (Prior to 3/98) 8200424 Narrow Frame (Prior to 3/98) 8200441 Narrow Frame (Prior to 3/98) 8200442 Arco Narrow Frame (Prior to 3/98) 8200456 Wide Frame (After 3/98) 8200457 Narrow Frame (After 3/98) 8200458 Tokheim 262 8200459 Tokheim 262-1&2-Twin	8	4110083 2-way Lock
		9	4180014 Lock Cover
		10	G-1232-1 Lock Cam
		11	Key
		12	4005047 1/4-20 x 3/4" Long Flange Hex Head Self- Tapping Screw
		13	S-912-2 Lock Washer
		14	S-912-3 Lock Spacer
4	<u>Vapor Barrier Support Bracket</u> 8200394 Wide Frame 8200415 Narrow Frame		
5	<u>Nozzle Well Body Support Bracket</u> 8200396 Wide Frame 8200417 Narrow Frame		

1-72824

LOWER FRAME ASSEMBLY
CENTURION SUCTION



1-72856

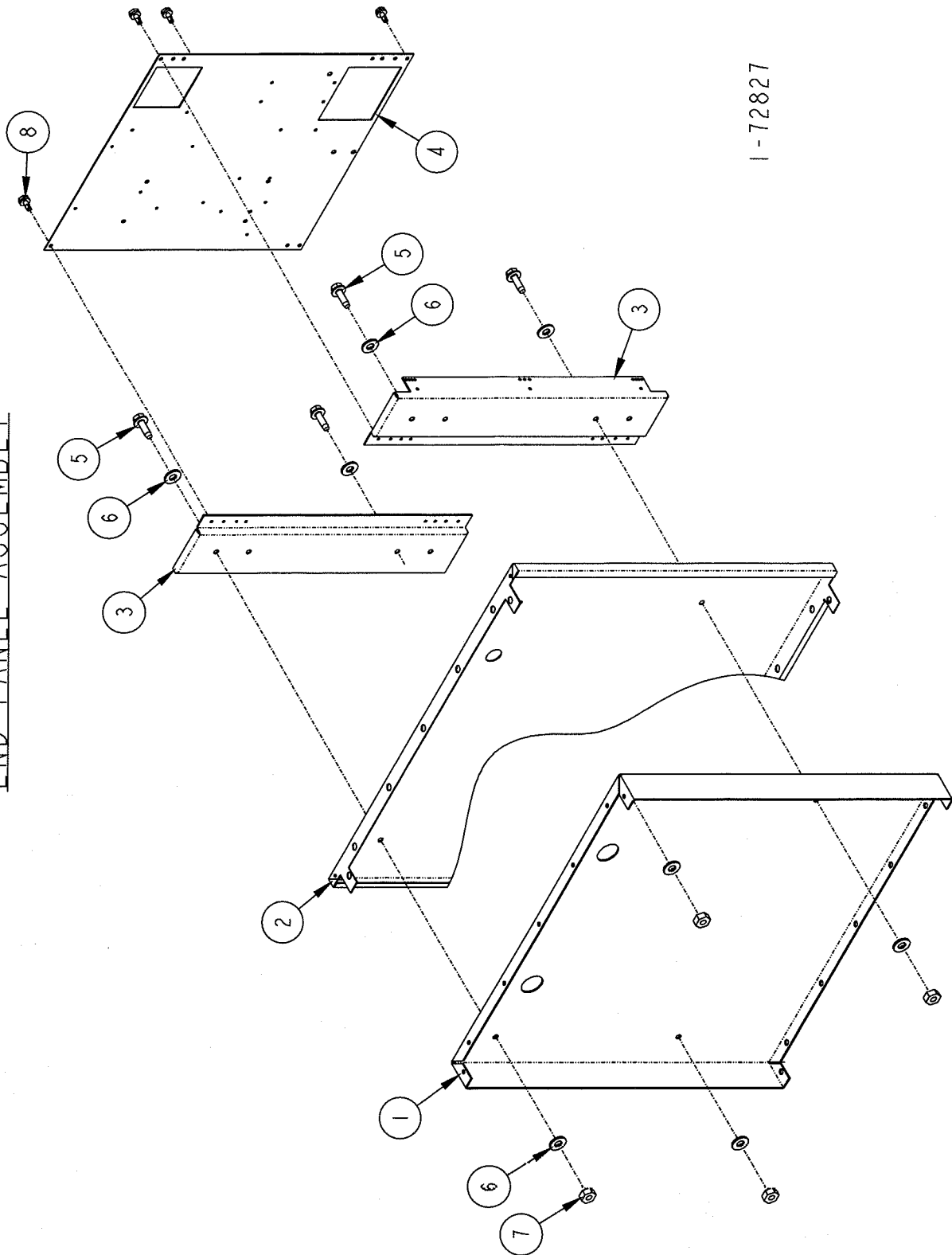
1-72856

LOWER FRAME ASSEMBLY CENTURION SUCTION

ITEM PART NO. NO.	DESCRIPTION
1 8200415	Vapor Barrier Support Bracket
2 8200417	Nozzle Well Body Support Bracket
3 8200481	Lower Side Panel
4 8200488	Suction Base Bracket
5 8200496	Filter Casting Bracket
6 8200501	Filter Casting Bracket Support
7 8200502	Base Rail
8 4110083	2-way Lock
9 4180014	Lock Cover
10 G-1232-1	Lock Cam
11	Key
12 4005047	1/4-20 x 1/2" Long Flange Hex Head Self-Tapping Screw
13 S-912-2	Lock Washer
14 S-912-3	Lock Spacer

1-72856

END PANEL ASSEMBLY



1-72827

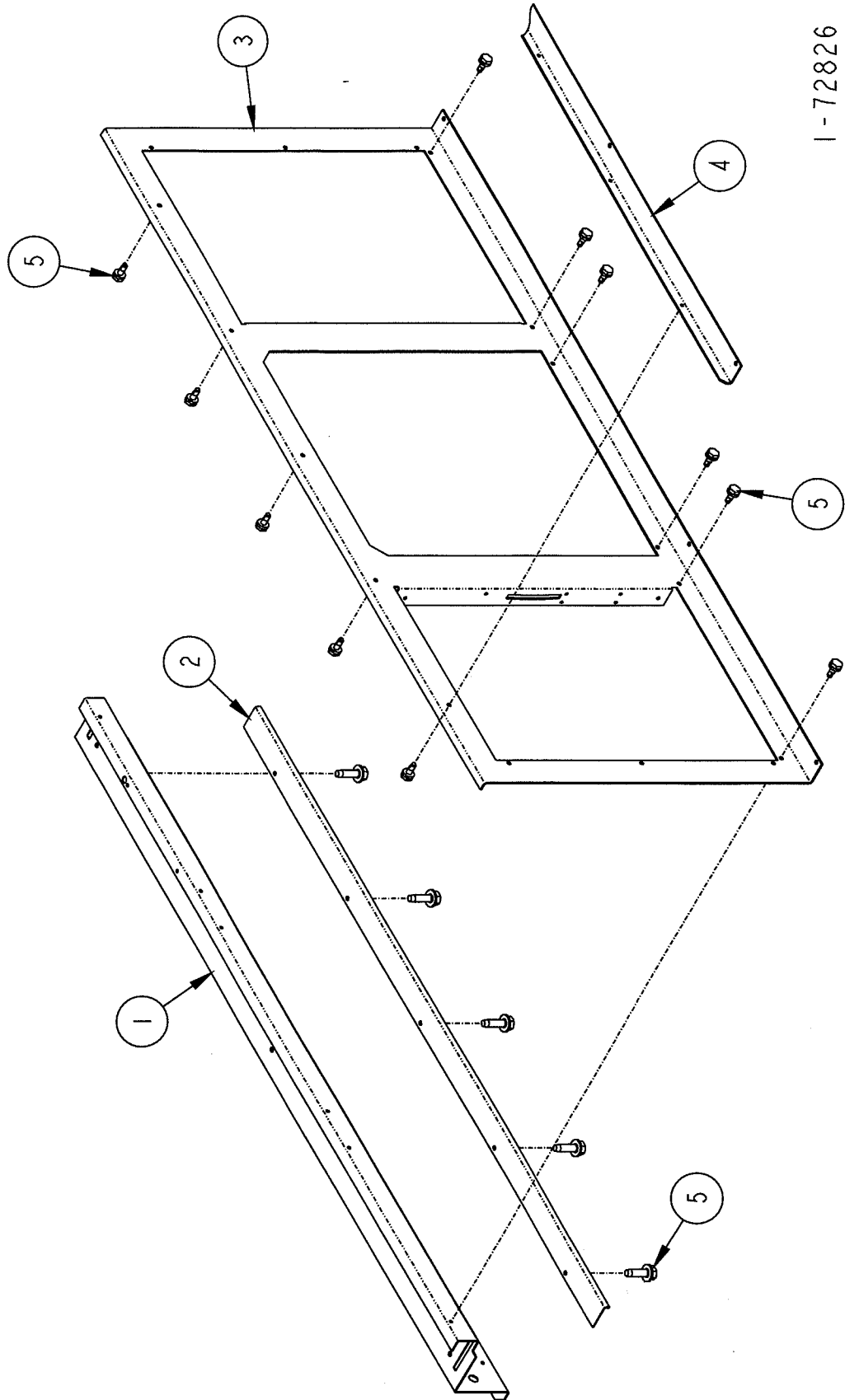
1-72827

END PANEL ASSEMBLY

ITEM PART NO. NO.	DESCRIPTION
1 8200397	Middle Channel
2	<u>Computer End Panel</u>
8801316	Left Hand
8801032	Right Hand
3 8801215	Computer Corner Vertical Bracket
4 8801208	Computer Side Panel
5 4005059	1/4-20 x 3/4" Long Flange Hex Head Self-Tapping Screw
6 4035040	Flat Washer
7 4025025	1/4-20 x 1/2" Long Flange Hex Head Self-Tapping Screw
8 4003582	#8-32 x 3/8" Long Flange Hex Head Self-Tapping Screw

1-72827

ENCLOSURE SUPPORT ASSEMBLY

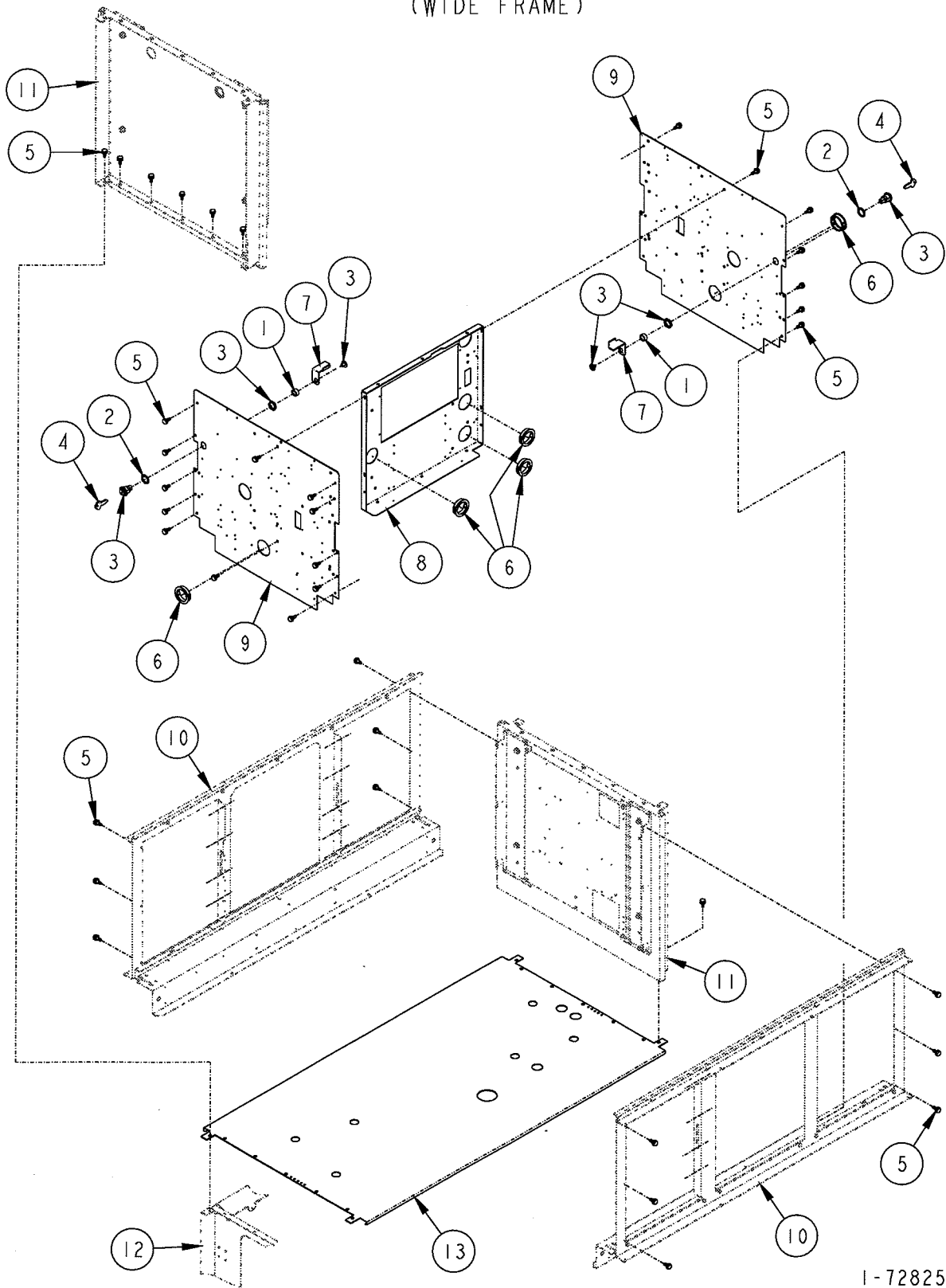


1-72826

ENCLOSURE SUPPORT ASSEMBLY

ITEM PART NO.	NO.	DESCRIPTION
1		<u>Computer Lower Rail & Light Bracket</u>
	8801003	Wide Frame
	8801202	Narrow Frame
2		<u>Extrusion Back Stop Bracket</u>
	8801167	Wide Frame
	8801218	Narrow Frame
3		<u>Computer Door Face Panel</u>
	8801247	Wide Frame
	8801252	Narrow Frame
4		<u>Computer Door Support Bracket</u>
	8801248	Wide Frame
	8801253	Narrow Frame
5	4003582	#8-32 x 3/8" Long Flange Hex Head Self-Tapping Screw

CENTER ENCLOSURE ASSEMBLY (WIDE FRAME)

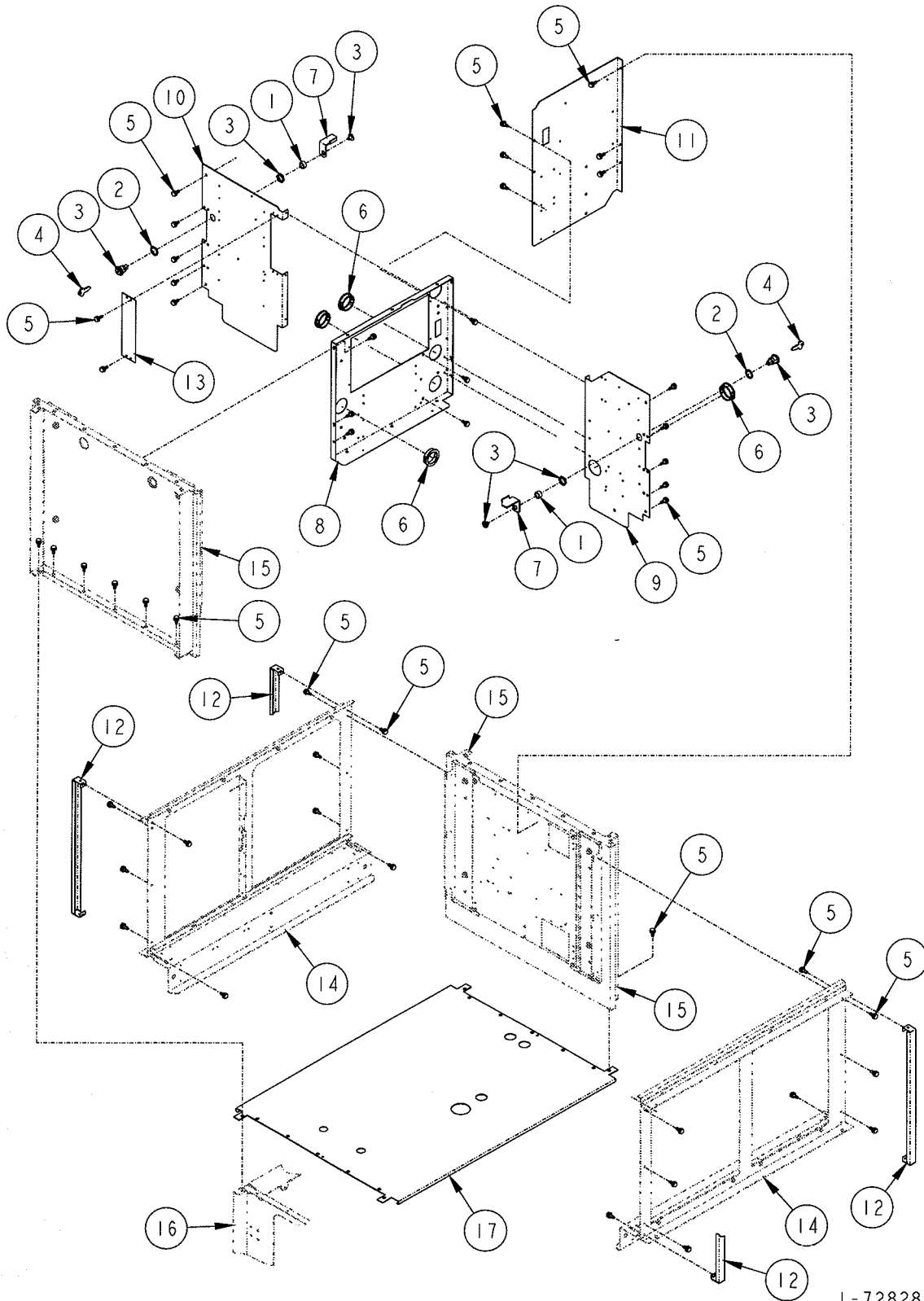


1-72825

CENTER ENCLOSURE ASSEMBLY WIDE FRAME

ITEM NO.	PART NO.	DESCRIPTION
1	S-912-2	Nylon Spacer
2	S-912-3	Nylon Washer
3	X-633-13	Keylock
4	SPCP	Key
5	4003582	#8-32 x 3/8" Long Flange Hex Head Self-Tapping Screw
6	4130001	Snap Bushing
7	8801011	Lock Lever
8	8801204	Computer/Relay Mounting Bracket
9	8801300	Power Supply/Blend Board Panel
10	<u>For parts callout of Enclosure Support Assembly see 72826.</u>	
11	<u>For parts callout of End Panel Assembly see 72727.</u>	
12	<u>For parts callout of Lower Frame Assembly see 72824.</u>	
13	<u>Vapor Barrier</u>	
	8801079	Models 23102, 23112, 24102, 24112, 25102, 25112
	8801265	Models 23302, 23332
	8800980	Models 33102, 33112, 33302, 33332
	8801194	Models 34202, 34222, 35202, 35222
	8801064	Models 44202, 44222, 44402, 44442
	8801310	Models 34442, 34402

CENTER ENCLOSURE ASSEMBLY
(NARROW FRAME)

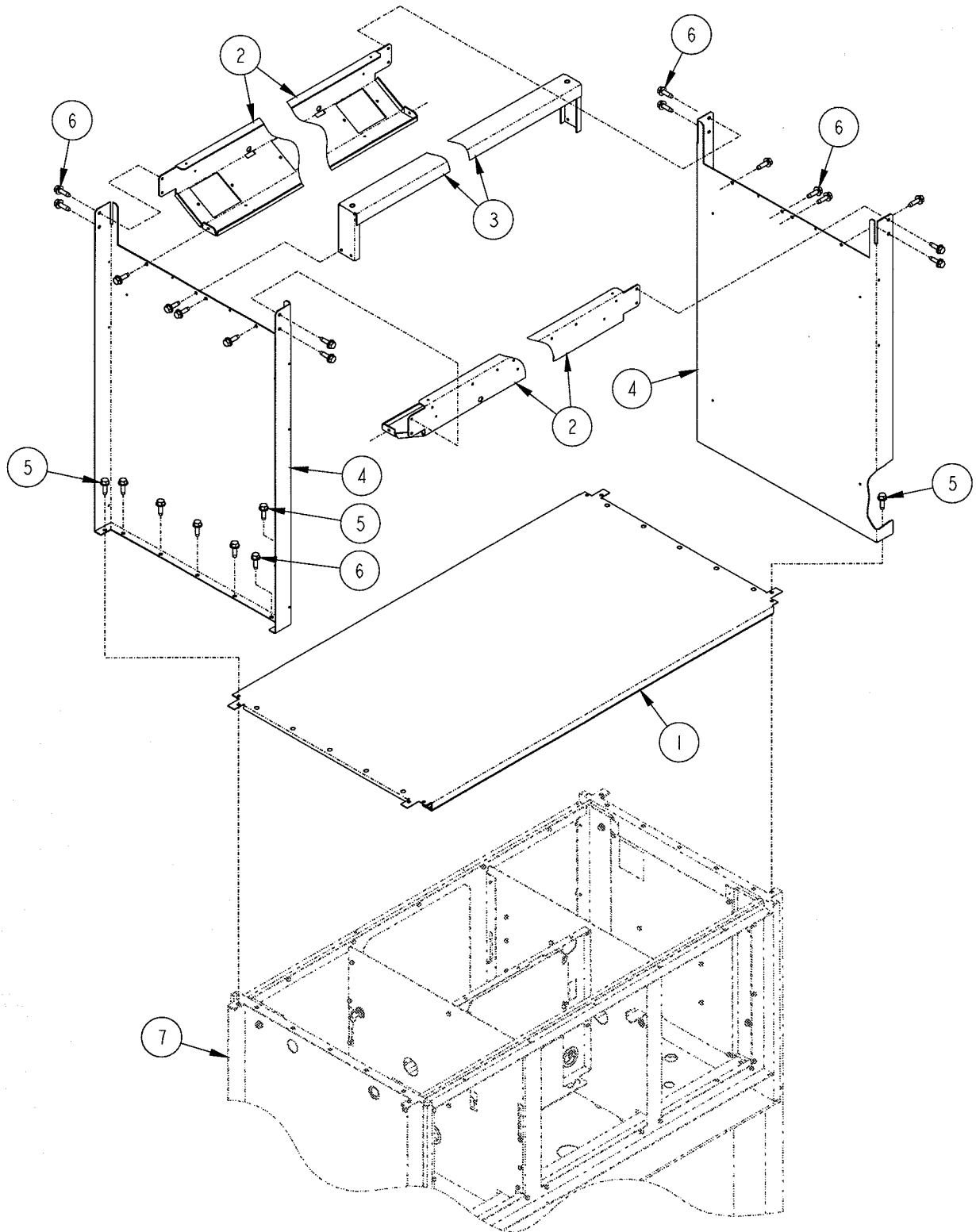


1-72828

CENTER ENCLOSURE ASSEMBLY NARROW FRAME

ITEM NO.	PART NO.	DESCRIPTION
1	S-912-2	Nylon Spacer
2	S-912-3	Nylon Washer
3	X-633-13	Keylock
4		Key
5	4003582	#8-32 x 3/8" Long Flange Hex Head Self-Tapping Screw
6	4130001	Snap Bushing
7	8801011	Lock Lever
8	8801204	Computer/Relay Mounting Bracket
9	8801205	Computer Middle Panel Side 1
10	8801206	Power Supply Middle Panel Side 2
11	8801207	Barrier Power Distribution Mounting Bracket
12	8801209	Cover Panel Door Sides
13	8801242	Slot Cover Power Supply Panel
14	<u>For parts callout of Enclosure Support Assembly see 72826.</u>	
15	<u>For parts callout of End Panel Assembly see 72727.</u>	
16	<u>For parts callout of Lower Frame Assembly see.</u>	
	72824	Remote Control System
	72856	Suction System
17	<u>Vapor Barrier</u>	
	8801244	Models 11101, 11111 (Remote Control System)
	8801210	Models 22201, 22221 (Remote Control System)
	8801171	Models 23101, 23111, 24101, 24111, 25101, 25111
	8801495	Models 11101, 11111, 222201, 22221 (Suction System)

CANOPY ASSEMBLY (WIDE FRAME SHOWN)



1-72843

CANOPY ASSEMBLY (WIDE FRAME SHOWN)

ITEM NO.	PART NO.	DESCRIPTION
1		<u>Center Enclosure Top</u>
	8200862	Wide Frame
	8900911	Narrow Frame
2		<u>Canopy Frame Channel</u>
	8200390	Wide Frame
	8200414	Narrow Frame
3		<u>Lift Beam</u>
	8200395	Wide Frame
	8200416	Narrow Frame
4	8200398	Upper Frame Channel
5	4004077	#10-24 x 3/8" Long Flange Hex Head Self-Tapping Screw
6	4005047	1/4-20 x 1/2" Long Flange Hex Head Self-Tapping Screw
7		<u>For parts callout of Center Enclosure Assembly</u>
	72825	Wide Frame
	72828	Narrow Frame

