

## Phil-Tite Replacement Spill Containers

PHIL-TITE

Replacement 5 gallon spill containers, include factory installed risers on both fill and vapor models. A drain valve is included on fill models as shown. Factory assembled and tested. For all direct bury and multi-port manholes. Not for use as platform replacements. See 85000-EXT below for platform containers.

### Design Highlights & Advantages

- Provides for 5 gallon capacity.
- Extra space at top of spill container makes it easier for drivers to connect fuel hose.

### Certifications/Listings

- \* EVR Phase 1 Certification VR-101
- \* ULC file # MH21091
- \* Florida approved EQ555
- \* Tracer Tight approved

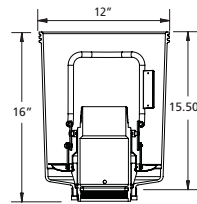
PATENT #: 4,696,330



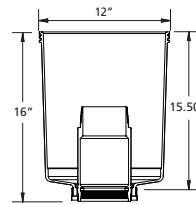
85100-1 FILL



85101-1 VAPOR



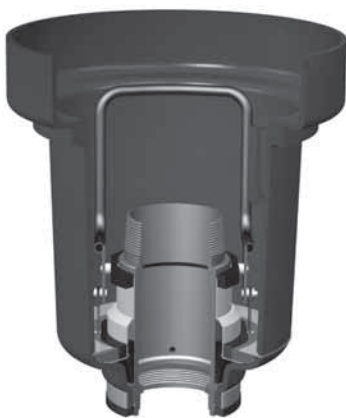
85100-1 FILL



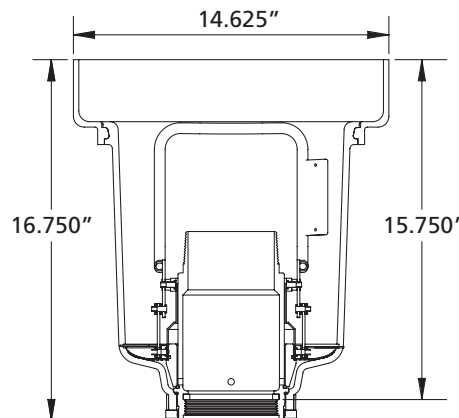
85101-1 VAPOR

PART	DESCRIPTION
85100-1	Replacement 5 gallon 85000-1 series fill spill bucket with drain valve
85101-1	Replacement 5 gallon 85000-1 series vapor spill bucket, without drain valve

The 85100-EXT 5 gallon spill containers are the same as the 85100 models, except these include an extension for use with watertight and non-watertight platform packages shown on page 58. Available as a vapor (without drain valve) or fill, with drain valve.



85100-EXT



85100-EXT

PART	DESCRIPTION
85100-EXT	Fill spill collector with 5 gallon extension attached, with drain valve
85101-EXT	Vapor spill collector with 5 gallon extension attached, without drain valve