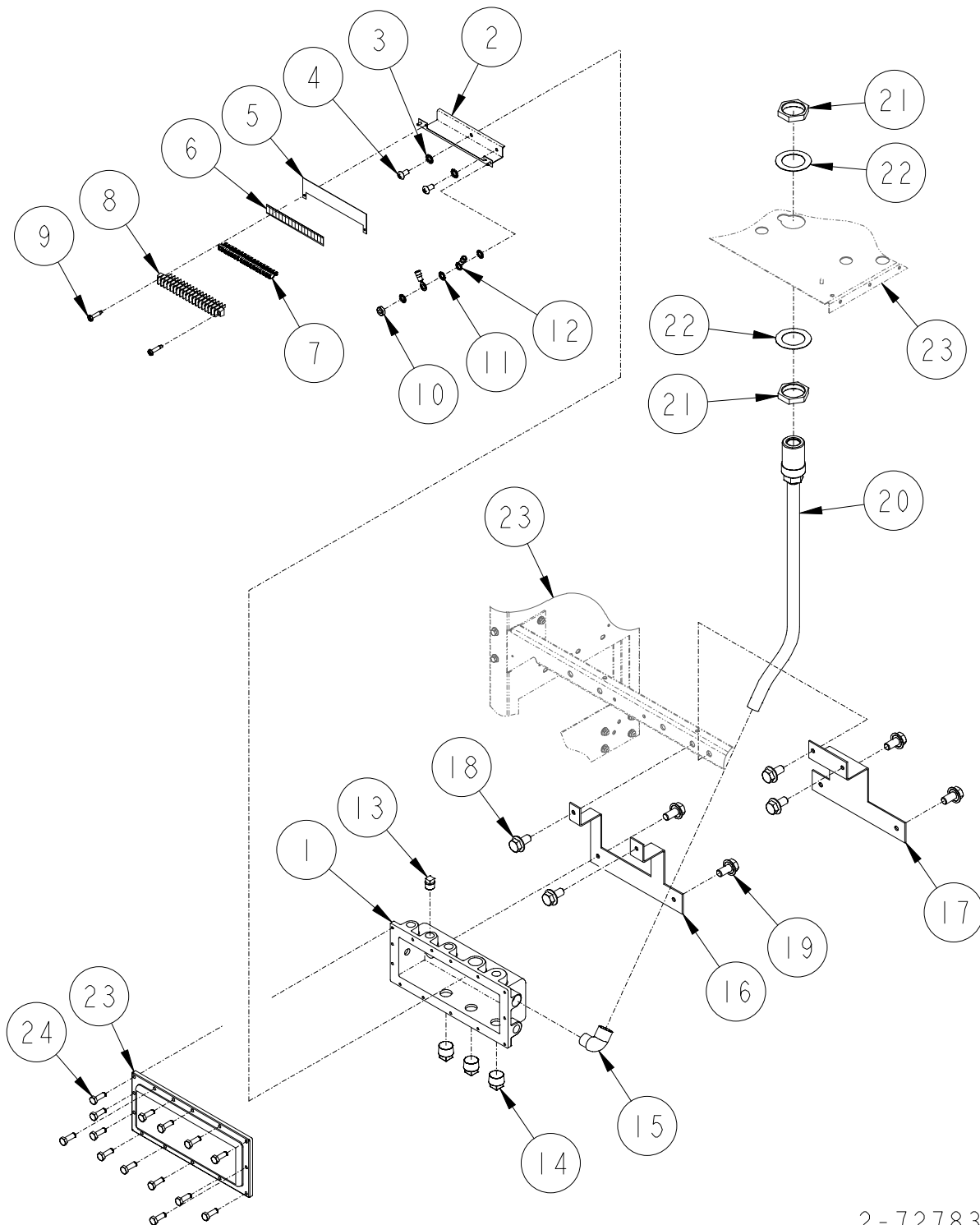


CONNECTION BOX ASSEMBLY



2-72783

CONNECTION BOX ASSEMBLY

| ITEM NO. | PART NO. | DESCRIPTION |
|----------|--|---|
| 1 | 1-422650 | Connection Box |
| 2 | 233671-1 | Terminal Strip Bracket Assembly |
| 3 | 05-50761 | #10 Shakeproof Lockwasher |
| 4 | 248-50021 | #10-24 x 3/8" Long Phillips Round Head Machine Screw |
| 5 | 1-233708 | Insulator |
| 6 | 1-233709 | Label |
| 7 | 6-224492 | Connector (14-16 AWG) |
| 8 | 3-227938 | Terminal Strip |
| 9 | 15-53292 | #6-32 x 5/8" Long Phillips Pan Head Thread Cutting Screw |
| 10 | 04-50211 | #8-32 Hex Machine Nut |
| 11 | 04-50761 | #8 Shakeproof Lockwasher |
| 12 | 1-224494 | #8 Wire Terminal (14-16 AWG) |
| 13 | 04-51911 | 1/2" Pipe Plug |
| 14 | 06-51901 | 1" Pipe Plug |
| 15 | 1-232329 | 90° Short Conduit Elbow |
| 16 | 1-321134 | Connection Box Mounting Bracket (H411C, H411C-B3/5, H413C, H413C-REB, H422C, H422C-B3/5, H426C, H426C-EB) |
| 17 | 1-321104 | Connection Box Mounting Bracket (H414C, H424C-B3/4, H428C, H428C-EB) |
| 18 | 02-54752 | 5/16-18 x 5/8" Long M-F Flange Whiz-Lock Screw |
| 19 | 62-50361 | 3/8-16 x 5/8" Long Hex Head Cap Screw |
| 20 | <u>Connection Box Conduit & Harness Assembly</u> | |
| | 422652-5 | All remote control models except H428C-REB |
| | 422652-6 | H428C-REB |
| | 422652-7 | All suction models except H428C-EB Suction |
| | 422652-8 | H428C-EB Suction |
| 21 | 1-132706 | 1-1/2 Hex Lock Nut |
| 22 | 1-132705 | Conduit Washer |
| 23 | 1-422651 | Connection Box Cover |
| 24 | 03-50361 | 1/4-20 x 3/4" Long Hex Head Cap Screw |
| 25 | <u>For parts call out of Chassis Assembly see:</u> | |
| | 72779 | H300C Series |
| | 72724 | H400C Series |

Reference for Tokheim internal use only:

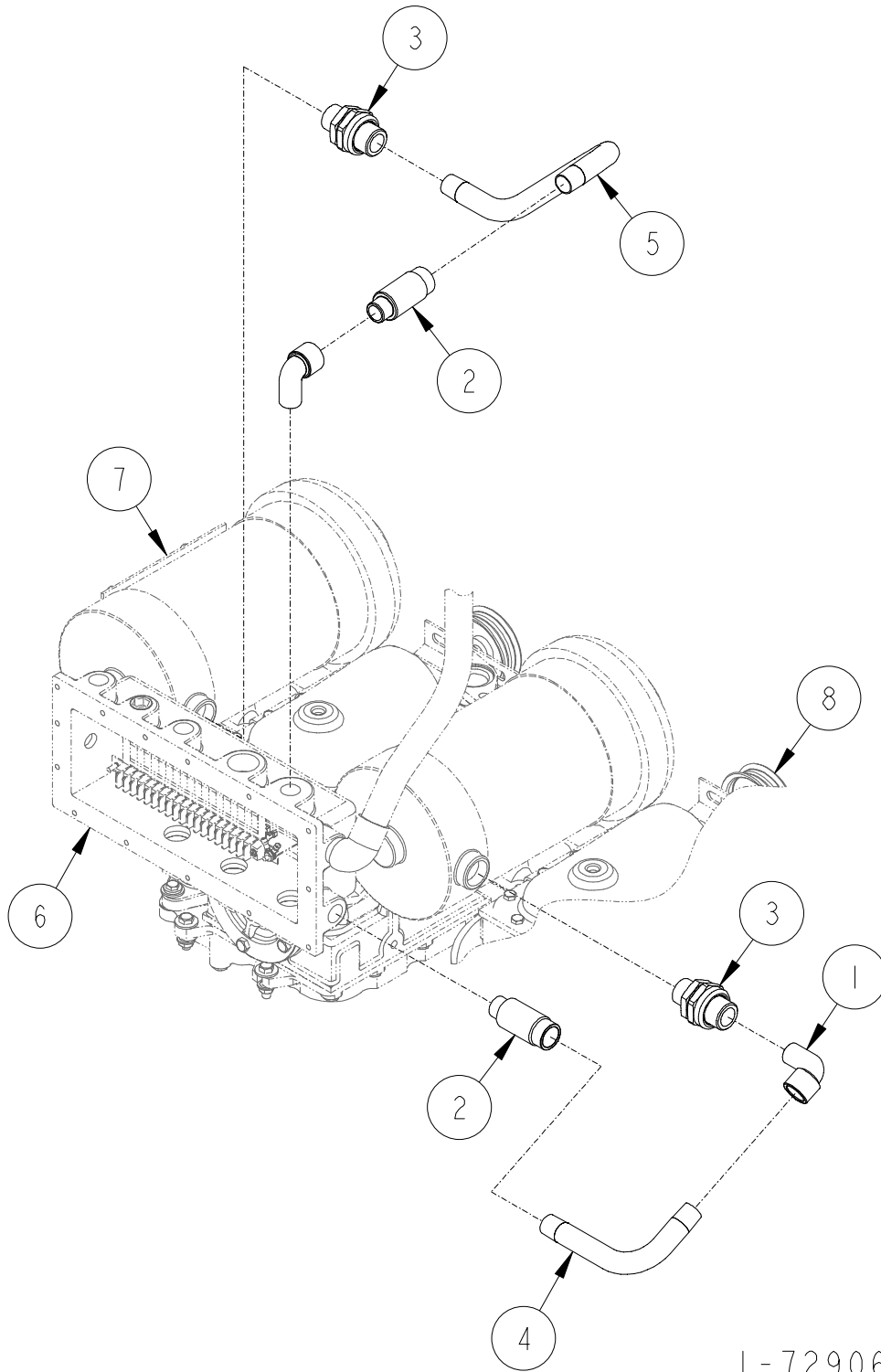
321153 45" Chassis Assembly

321204 30" Chassis Assembly



CONNECTION BOX ASSEMBLY

30" SUCTION SYSTEM



1-72906

CONNECTION BOX ASSEMBLY

30" SUCTION SYSTEM

| ITEM NO. | PART NO. | DESCRIPTION |
|----------|---|---------------------------------|
| 1 | 1-128035 | 1/2 x 90° Conduit Street Elbow |
| 2 | 1-218941 | 1/2 Expansion Union Male/Female |
| 3 | 1-233735 | 1/2 Union Male/Female |
| 4 | 2-321110 | Motor Conduit |
| 5 | 1-321288 | Motor Conduit |
| 6 | <u>For parts call out of Connection Box Assembly see 72783.</u> | |
| 7 | <u>For parts call out of Motor Assembly see 72894.</u> | |
| 8 | <u>For parts call out of Rotary Pump Assembly see 72896.</u> | |

Reference for Tokheim internal use only:

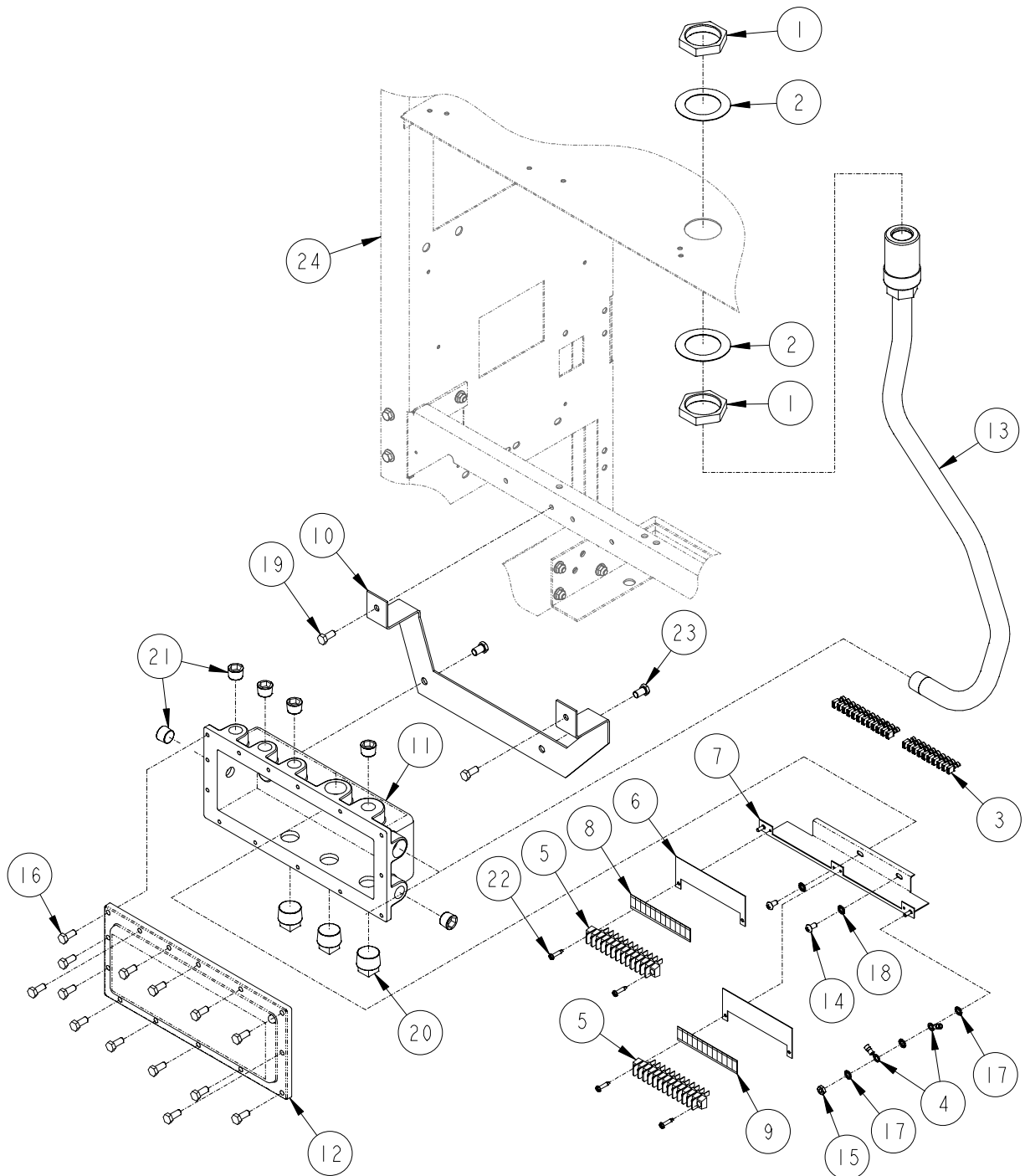
321204 30" Chassis Assembly

1-72906



CONNECTION BOX ASSEMBLY

H300C-RHV MASTER SERIES



1-72917

CONNECTION BOX ASSEMBLY H300C-RHV MASTER SERIES

| ITEM NO. | PART NO. | DESCRIPTION |
|-------------|--|--|
| 1 | 1-132706 | 1-1/2 Hex Lock Nut |
| 2 | 1-132735 | Conduit Washer |
| 3 | 6-224492 | Connector (14-16 AWG) |
| 4 | 1-224494 | #8 Wire Terminal (14-16 AWG) |
| 5 | 4-227938 | Terminal Strip |
| 6 | 2-233708 | Insulator |
| 7 | 233777-1 | Terminal Strip Bracket Assembly |
| 8 | 1-233785 | Label |
| 9 | 2-233785 | Label |
| 10 | 1-321402 | Connection Box Mounting Bracket |
| 11 | 1-422650 | Connection Box |
| 12 | 1-422651 | Connection Box Cover |
| 13 | 422907-4 | Connection Box Conduit & Harness Assembly |
| 14 | 248-50021 | #10-24 x 3/8" Long Phillips Round Head Machine Screw |
| 15 | 04-50211 | #8-32 Hex Machine Nut |
| 16 | 03-50361 | 1/4-20 x 3/4" Long Hex Head Cap Screw |
| 17 | 04-50761 | #8 Shakeproof Lockwasher |
| 18 | 05-50761 | #10 Shakeproof Lockwasher |
| 19 | 20-51491 | 5/16-18 x 5/8" Long Self Tapping Screw |
| 20 | 06-51901 | 1" Pipe Plug |
| 21 | 54-51911 | 1/2" Pipe Plug |
| 22 | 15-53292 | #6-32 x 5/8" Long Phillips Pan Head Thread Cutting Screw |
| 23 | 35-55132 | 5/16-18 x 5/8" Long M-F Flange Whiz-Lock Screw |
| 24 | <u>For parts call out of Chassis Assembly see 72779.</u> | |

Reference for Tokheim internal use only:

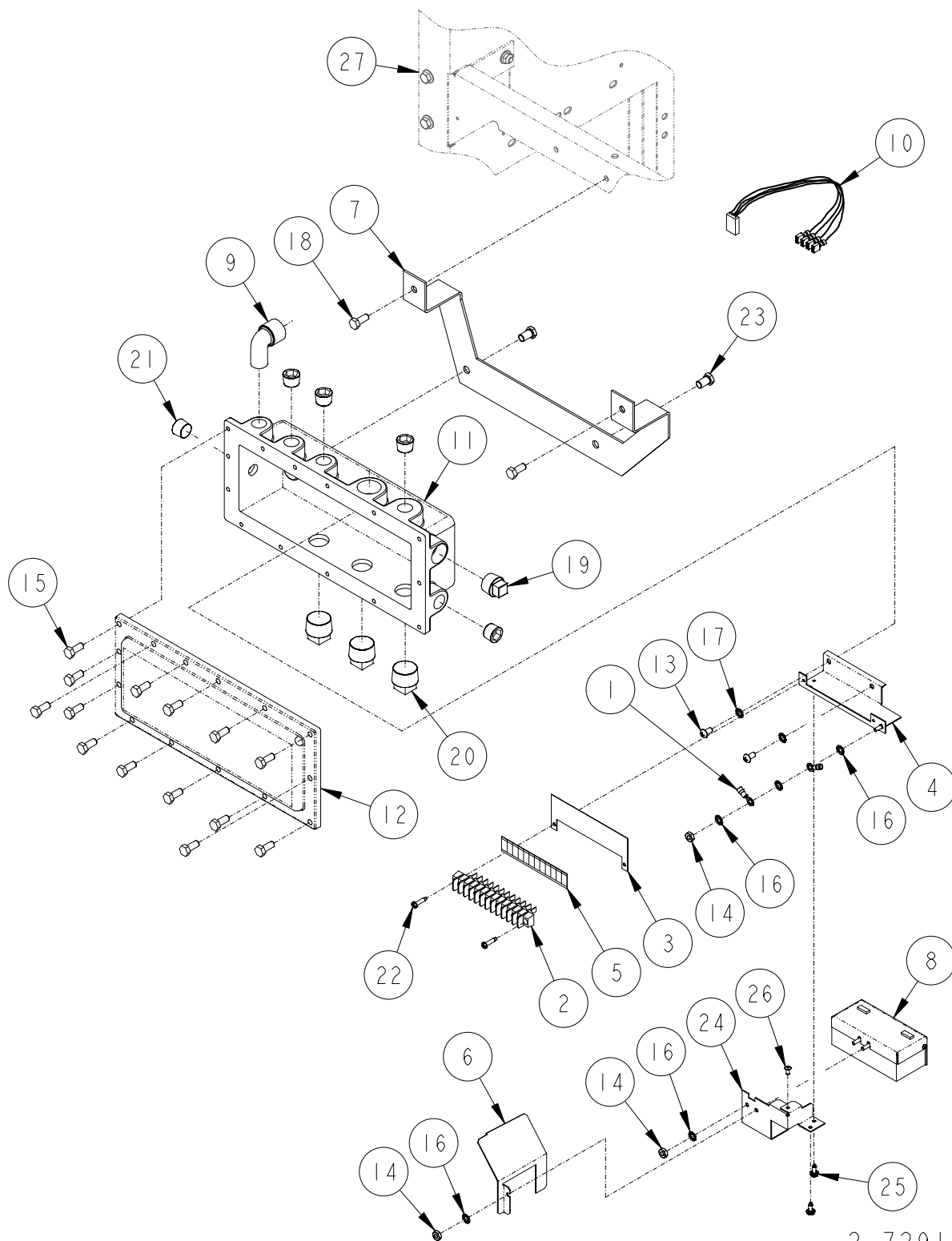
321435 30" High Volume Chassis Assembly

1-72917



CONNECTION BOX ASSEMBLY

H300C-RHV SATELLITE SERIES



2-72918

CONNECTION BOX ASSEMBLY H300C-RHV SATELLITE SERIES

| ITEM NO. | PART NO. | DESCRIPTION |
|-------------|--|--|
| 1 | 1-224494 | #8 Wire Terminal (14-16 AWG) |
| 2 | 4-227938 | Terminal Strip |
| 3 | 2-233708 | Insulator |
| 4 | 233779-1 | Terminal Strip Bracket Assembly |
| 5 | 2-233785 | Label |
| 6 | 1-233798 | ISB Box Divider |
| 7 | 1-321402 | Connection Box Mounting Bracket |
| 8 | 321405-1 | ISB Assembly |
| 9 | 321433-1 | IS Handle Harness Assembly |
| 10 | 321434-1 | Connection Box Handle Harness Assembly |
| 11 | 1-422650 | Connection Box |
| 12 | 1-422651 | Connection Box Cover |
| 13 | 248-50021 | #10-24 x 3/8" Long Phillips Round Head Machine Screw |
| 14 | 04-50211 | #8-32 Hex Machine Nut |
| 15 | 03-50361 | 1/4-20 x 3/4" Long Hex Head Cap Screw |
| 16 | 04-50761 | #8 Shakeproof Lockwasher |
| 17 | 05-50761 | #10 Shakeproof Lockwasher |
| 18 | 20-51491 | 5/16-18 x 5/8" Long Self Tapping Screw |
| 19 | 05-51911 | 3/4" Pipe Plug |
| 20 | 06-51901 | 1" Pipe Plug |
| 21 | 54-51911 | 1/2" Pipe Plug |
| 22 | 15-53292 | #6-32 x 5/8" Long Phillips Pan Head Thread Cutting Screw |
| 23 | 35-55132 | 5/16-18 x 5/8" Long M-F Flange Whiz-Lock Screw |
| 24 | 1-321500 | I.S. Support Bracket |
| 25 | 21-55392 | #6 x 3/8" Long Hex Head Self Tapping Screw |
| 26 | 1-128281 | Pop Rivet |
| 27 | <u>For parts call out of Chassis Assembly see 72779.</u> | |

Reference for Tokheim internal use only:

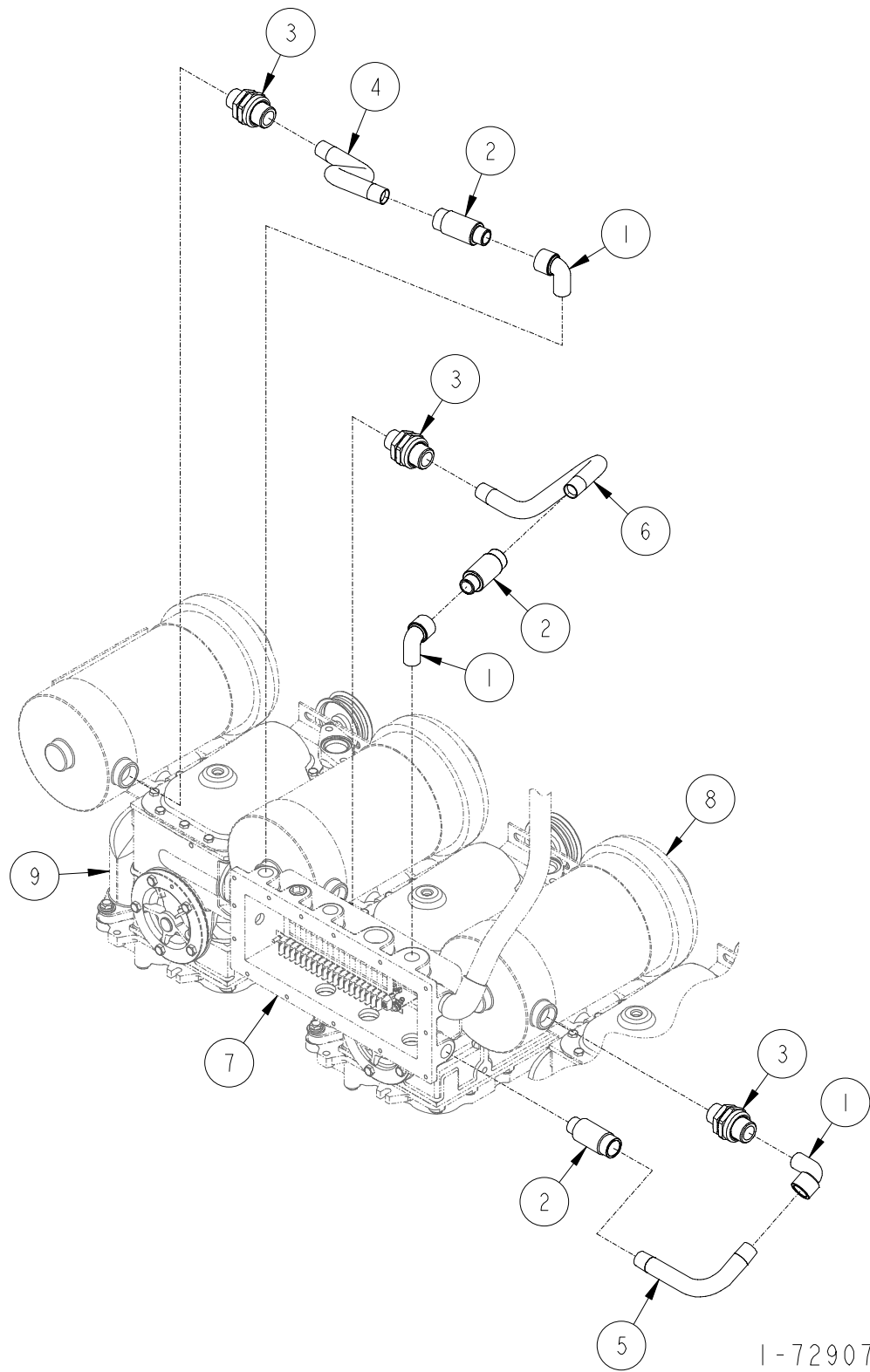
321435 30" High Volume Chassis Assembly

2-72918



CONNECTION BOX ASSEMBLY

45" SUCTION SYSTEM



1-72907

CONNECTION BOX ASSEMBLY
45" SUCTION SYSTEM

| ITEM NO. | PART NO. | DESCRIPTION |
|----------|----------|---|
| 1 | 1-128035 | 1/2 x 90° Conduit Street Elbow |
| 2 | 1-218941 | 1/2 Expansion Union Male/Female |
| 3 | 1-233735 | 1/2 Union Male/Female |
| 4 | 1-321108 | Motor Conduit |
| 5 | 1-321110 | Motor Conduit |
| 6 | 1-321328 | Motor Conduit |
| 7 | | <u>For parts call out of Connection Box Assembly see 72783.</u> |
| 8 | | <u>For parts call out of Motor Assembly see 72895.</u> |
| 9 | | <u>For parts call out of Rotary Pump Assembly see 72896.</u> |

Reference for Tokheim internal use only:
321153 45" Chassis Assembly

1-72907

