

Section Nine

Dispenser Payment Terminal

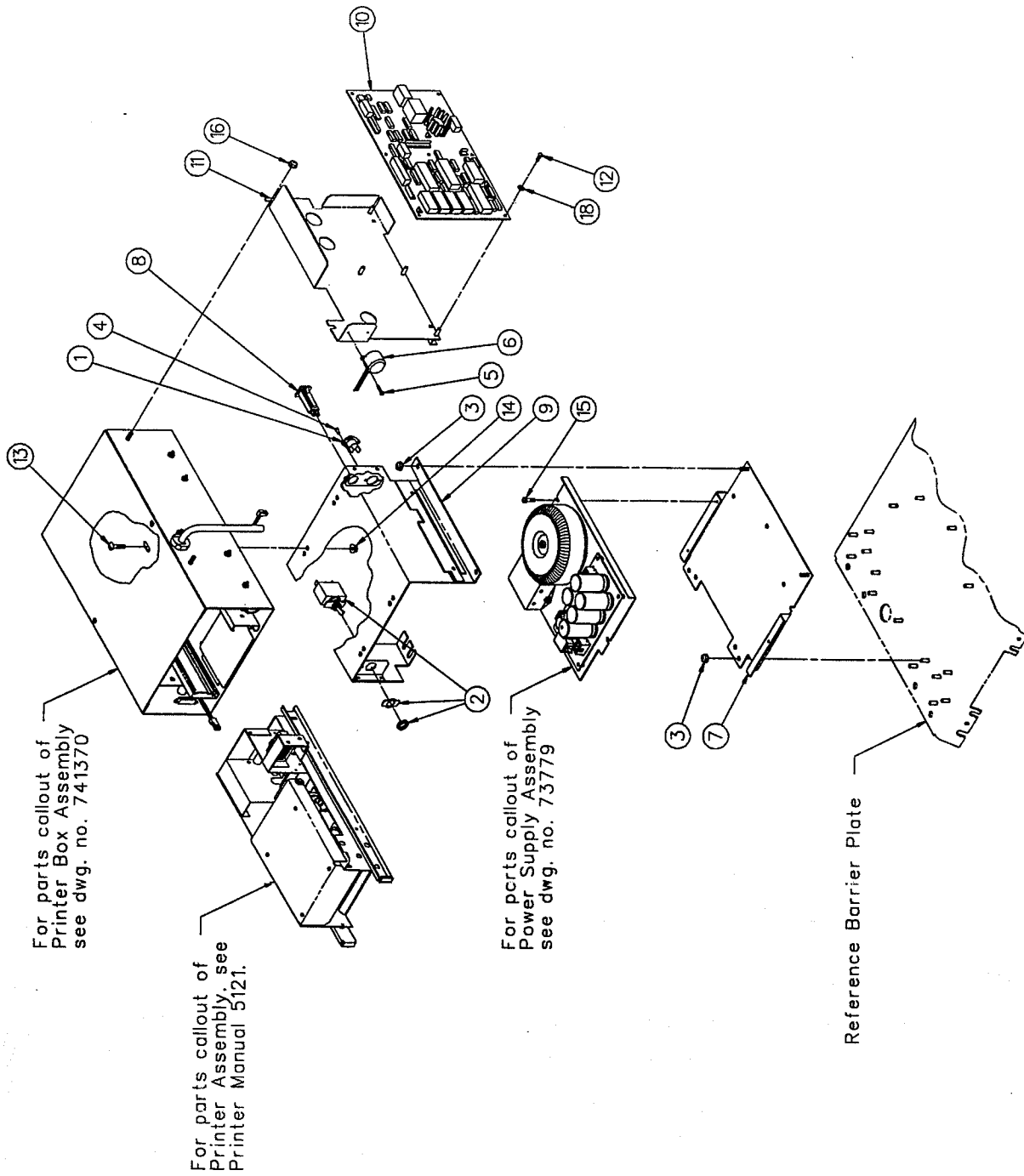
	Page Number
<i>Dispenser Payment Terminal Assembly</i> Model 426A-T & 628A-T.....	9-2, 9-3
<i>Printer Box Assembly</i> Model 426A-T & 628A-T.....	9-4, 9-5
<i>Printer Assembly</i> Model 426A-T & 628A-T.....	9-6, 9-7
<i>Power Supply Assembly</i> Model 426A-T & 628A-T.....	9-9
<i>DPT Wiring Schematic</i> Model 426A-T & 628A-T.....	9-10, 9-11

T
C
S

D
I
S
P
E
N
S
E
R

DISPENSER PAYMENT TERMINAL ASSEMBLY

MODEL 426A-T & 628A-T



2-741372

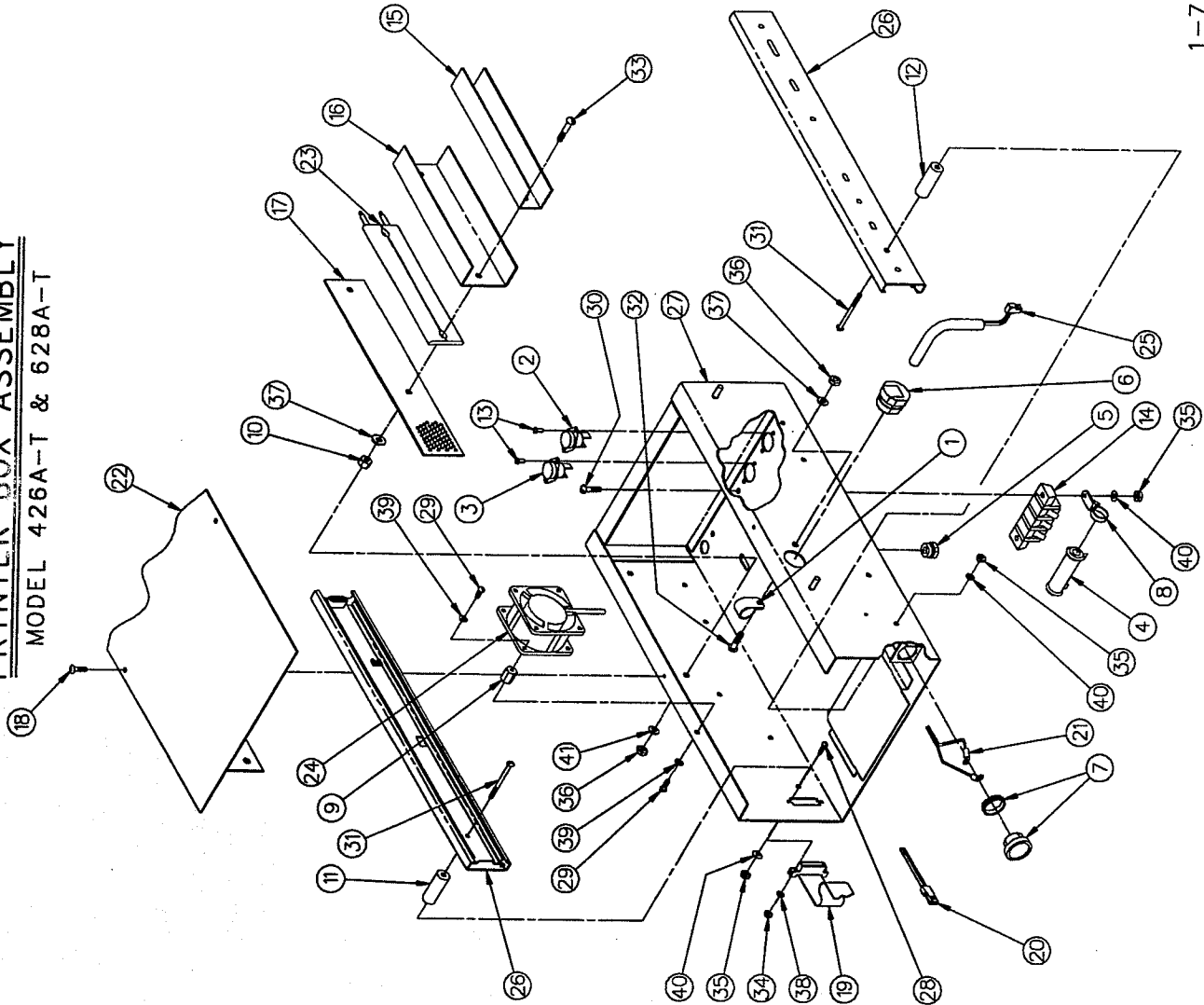
2-741372

1 of 1

DISPENSER PAYMENT TERMINAL ASSEMBLY FOR TCS 45" & 60"

ITEM NO.	PART NO.	DESCRIPTION	ITEM NO.	PART NO.	DESCRIPTION
1	3-130217	Thermostat (DPT Power)	14	05-50211	#10-24 Hex Nut
2	1-226442	Circuit Breaker (Side "A" only)	15	23-55392	#8 x 3/8" Long Hex Washer Head Tapping Screw
3	2-228671	#10-24 Capped Washer Lock Nut	16	03-54752	#10-24 M-F Flange Whiz-Lock Nut
4	1-229652	Plastic Rivet (Side "A" only)	17	1-230492	Paper Roll (Not Shown)
5	20-55392	#4 x 3/8" Long Hex Washer Head Tapping Screw	18	3-50761	#6 Shake-proof Lockwasher
6	230744-1	Transducer Assembly (Annunciator)	For complete Dispenser Payment Terminal order:		
7	Adapter Weld Assembly		420448-1	426A-T & 426A-R-T Side "A"	
	318813-1	Left (Side "A" only)	420448-2	426A-T & 426A-R-T Side "B"	
	318823-1	Right (Side "B" only)	420448-3	628A-T & 628A-R-T Side "A"	
8	1-318922	Circuit Breaker	420448-4	628A-T & 628A-R-T Side "B"	
9	420226-1	Support Weld Assembly	420448-5	426AR-ST Side "A"	
10	420292-2	Computer Board Assembly	2-741372		
11	PCB Bracket Weld Assembly				
	420344-1	45"			
	420344-2	60"			
12	88-50001	#6-32 x 1/4" Long Round Head Machine Screw			
13	250-50031	#10-24 x 7/16" Long Truss Head Machine Screw			

PRINTER BOX ASSEMBLY
MODEL 426A-T & 628A-T



1-741370

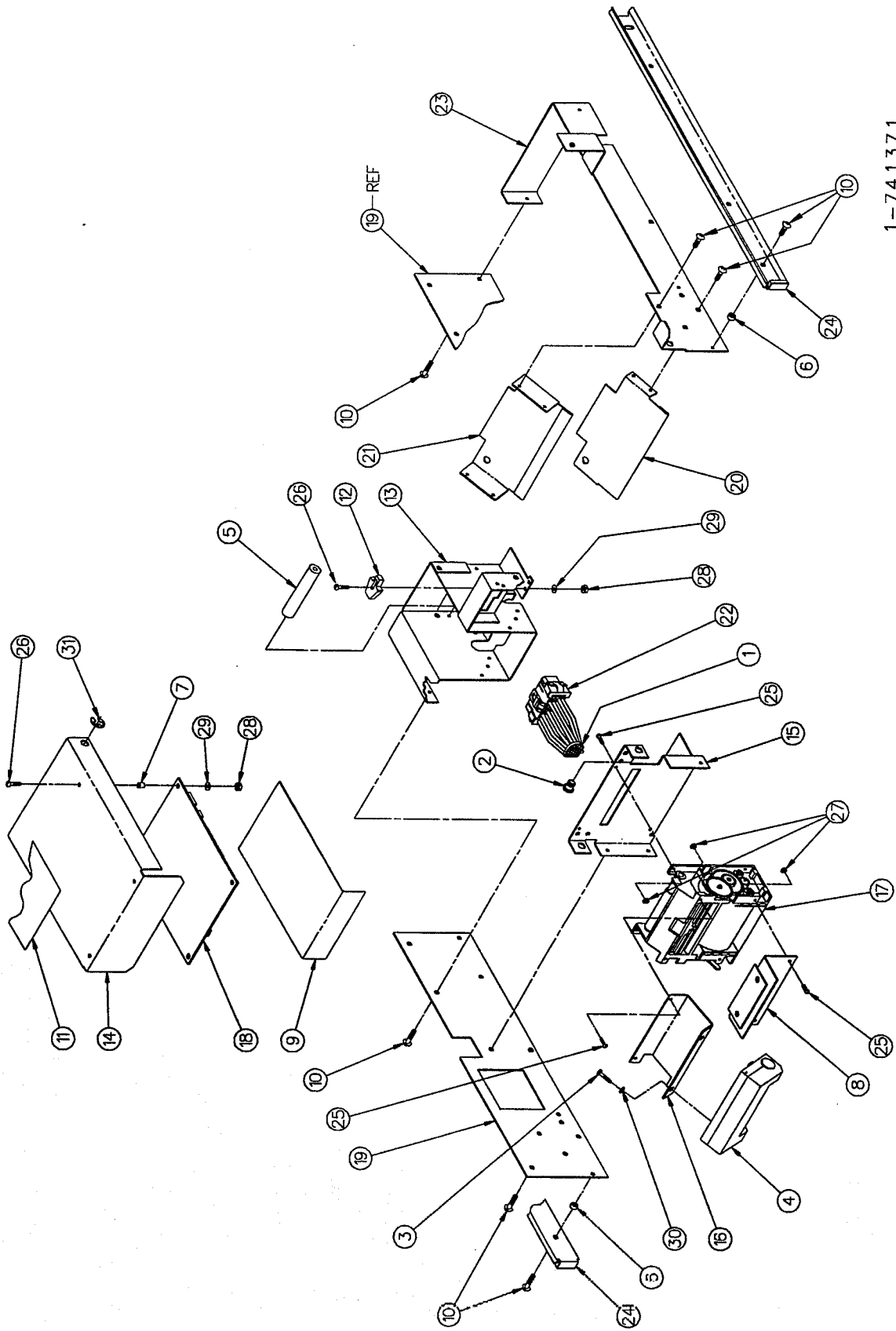
1-741370
1 of 1

PRINTER BOX ASSEMBLY FOR TCS DPT

ITEM NO.	PART NO.	DESCRIPTION	ITEM NO.	PART NO.	DESCRIPTION
1	2-127291	Cable Clamp	26	3-420234	Slide
2	1-130217	Thermostat (Runaway)	27	420250-3	Printer Box Weld Assembly
3	7-130217	Thermostat (Heater)	28	34-50001	#4-40 x 1/2" Long Round Head Machine Screw
4	15-220944	Resister	29	90-50001	#6-32 x 5/16" Long Round Head Machine Screw
5	5-226395	Strainer Relief Bushing	30	182-50001	#8-32 x 1" Long Round Head Machine Screw
6	9-226395	Strainer Relief Bushing	31	190-50001	#8-32 x 1-3/4" Long Round Head Machine Screw
7	3-227937	Sealed Touch Switch (MH426AR-ST only)	32	291-50001	#10-32 x 1/2" Long Round Head Machine Screw
8	1-228918	Cable Clamp	33	299-50001	#10-32 x 1" Long Round Head Machine Screw
9	2-229276	3/8" Hex x 1/2" Long Standoff	34	02-50211	#4-40 Hex Nut
10	3-229276	3/8" Hex x 1/4" Long Standoff	35	04-50211	#8-32 Hex Nut
11	3-229606	1/2" Dia x 1.28" Long Spacer	PRINTER BOX ASSEMBLY FOR TCS DPT		
12	4-229606	1/2" Dia x 1.34" Long Spacer	36	13-50211	#10-32 Hex Nut
13	1-229652	Plastic Rivet	37	05-50621	#10 Plain Washer
14	2-230368	Terminal Block	38	01-50761	#4 Shakeproof Lockwasher
15	1-230480	Heat Sink	39	03-50761	#6 Shakeproof Lockwasher
16	2-230480	Heat Sink	40	22-50761	#8 Shakeproof Lockwasher
17	1-230610	Heater Plate	41	05-50761	#10 Shakeproof Lockwasher
18	1-230689	#6 x 3/8" Long Phillips Head Self-Tapping Screw	For complete Printer Box Assembly order:		
19	1-230740	Display Interconnect Wire Harness Assembly	420250-1	426A-T & 628A-T	
20	230755-1	Display Backlight Interconnect Wire Harness Assembly	420250-2	MH426AR-ST	
21	230806-1	Switch Harness Assembly (MH426AR-ST only)			
22	318839-1	Box Cover Weld Assembly			
23	318878-1	Heater Assembly			
24	318880-1	Fan Assembly			
25	318894-1	External Wire Harness Assembly			

1-741370

PRINTER ASSEMBLY
MODEL 426A-T & 628A-T



1-741371

1-741371

1 of 1

PRINTER ASSEMBLY FOR TCS DPT

ITEM NO.	PART NO.	DESCRIPTION	ITEM NO.	PART NO.	DESCRIPTION
1	1-128725	Cable Tie	24	2-420234	Inner Slide
2	2-130330	Pivot Pin	25	09-50001	#2-56 X 3/8 Large Round Head Machine Screw
3	5-227633	M3 X 5mm Phillips Pan Head Machine Screw	26	32-50001	#4-40 X 7/16 Large Round Head Machine Screw
4	229407-2	Paper Cutter Assembly	27	01-50211	#2-56 Hex Nut
5	2-229606	7/16 Diameter X 2.26 Large Spacer	28	02-50211	#4-40 Hex Nut
6	5-229606	1/4 Diameter X 1/8 Large Spacer	29	01-50761	#4 Shakeproof Lockwasher
7	6-229606	3/16 Diameter X 3/16 Large Spacer	30	03-50761	#6 Shakeproof Lockwasher
8	230482-1	Paper Guide Weld Assembly	31	06-52482	Retaining Ring
9	1-230491	Interface Board Cover			
10	1-230689	#6 X 3/8 Large Phillips Head Self-Tapping Screw			
11	1-230733	Label			
12	230745-1	Paper Sensor Assembly			
13	318819-1	Paper Bracket Weld Assembly			
14	1-318824	Printer Cover			
15	1-318825	Printer Bracket			
16	1-318826	Cutter Bracket			
17	1-318832	Ticket Printer			
18	2-318832	Interface Circuit Board Assembly			
19	1-318833	Printer Side Plate			
20	1-318834	Lower Receipt Chute			
21	1-318835	Upper Receipt Chute			
22	318893-1	Internal Wire Harness Assembly			
23	1-420219	Printer Side Frame			

NOTE:

- Order 420240-1 for complete Printer Assembly

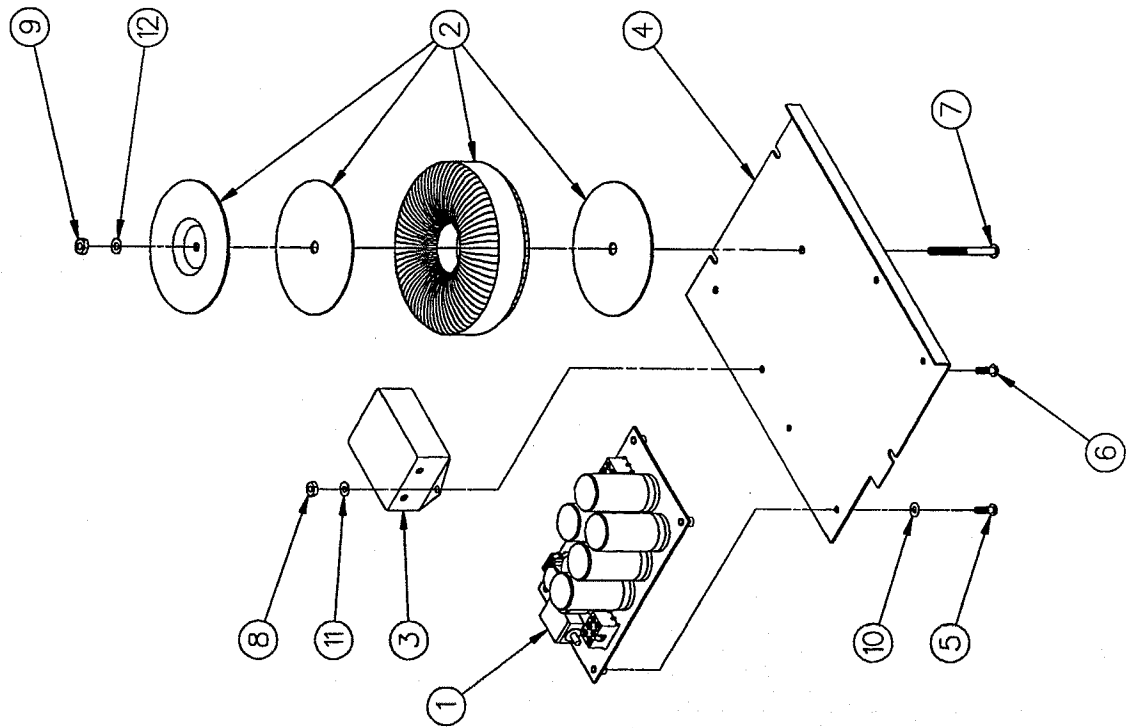
1-741371



Notes

POWER SUPPLY ASSEMBLY

MODEL 426A-T & 628A-T



ITEM NO.	PART NO.	DESCRIPTION
1	318939-1	POWER SUPPLY BOARD ASSY.
2	318942-1	TRANSFORMER ASSEMBLY
3	318943-1	FILTER ASSEMBLY
4	1-420391	POWER SUPPLY BRACKET
5	90-50001	#6-32 X 5/16 LG RHMS
6	166-50001	#8-32 X 1/4 LG RHMS
7	270-50001	#10-24 X 2" LG RHMS
8	04-50211	#8-32 HEX NUT
9	05-50211	#10-24 HEX NUT
10	03-50761	#6 SHAKE-PROOF LOCKWASHER
11	04-50761	#8 SHAKE-PROOF LOCKWASHER
12	05-50761	#10 SHAKE-PROOF LOCKWASHER

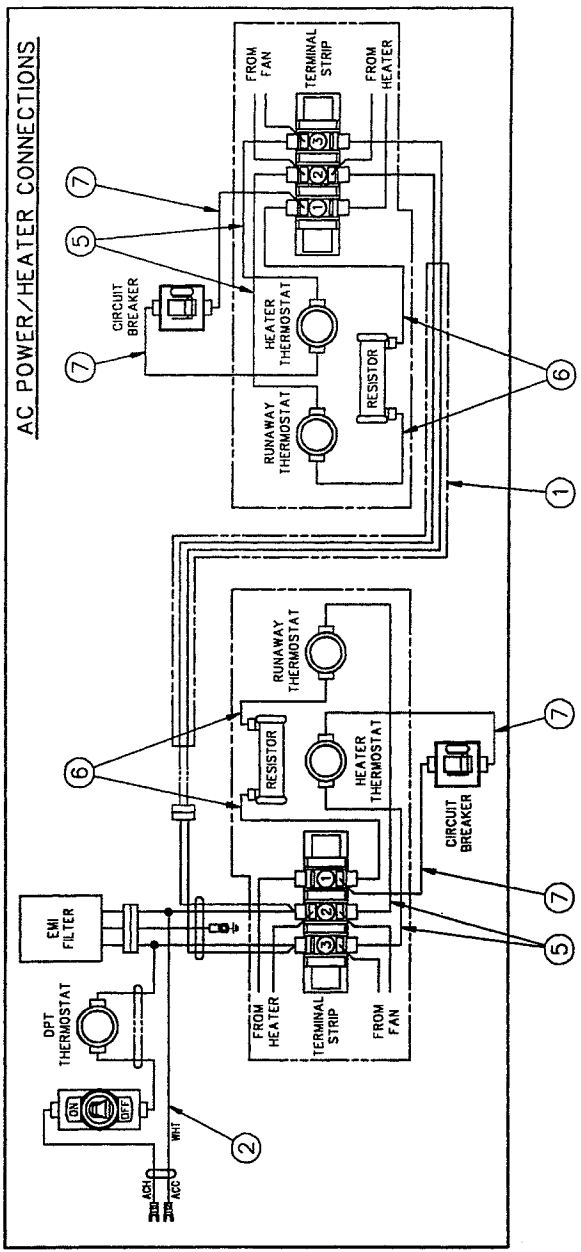
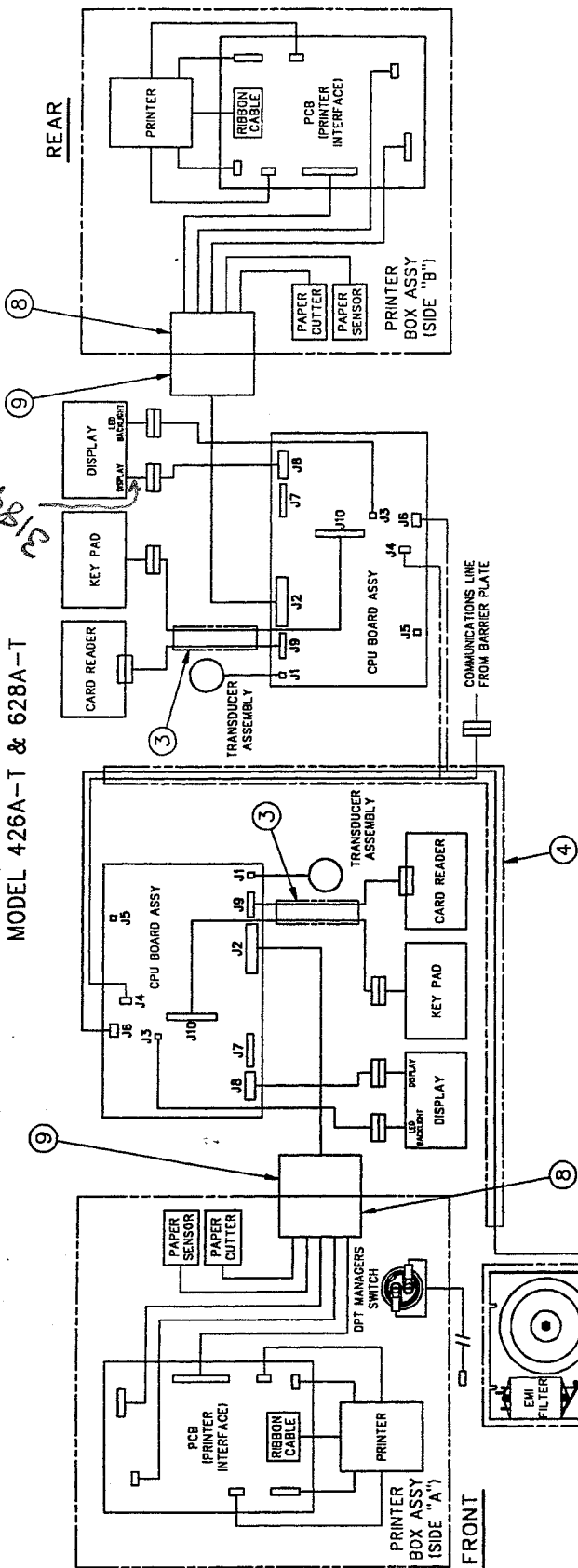
ORDER 318941-1 FOR COMPLETE POWER SUPPLY ASSEMBLY

NOTE:

RHMS = RD. HD. MACH. SCREW

DPT WIRING SCHEMATIC
MODEL 426A-T & 628A-T

1-926812



2-741373

2-741373

1 of 1

DPT WIRING SCHEMATIC

MODEL 426A-T & 628A-T

ITEM NO.	PART NO.	DESCRIPTION
1	Heater Wiring Harness Assembly 230653-1 45" 230653-2 60"	
2	318892-1	AC Power/Heater Wire Harness Assembly
3	318903-1	Card Reader/Keypad Wire Harness Assembly
4	Power/Communication Wiring Harness Assembly 318908-3 45" 318908-4 60"	
5	420165-11	Lead Assembly
6	420165-12	Lead Assembly
7	420165-13	Lead Assembly
8	318893-1	Internal Printer Harness Assembly
9	318894-1	External Printer Harness Assembly

*231180-1 KIT
Display Cable*

2-741373

